



prima
The Smarter Choice™

Appliances | Sinks | Taps



PRACTICAL

Prima appliances are designed for your everyday needs, and to be easy every time you use them.

Whether it is an oven, a microwave, or a washer dryer, most of us will use a small number of programmes most of the time and so our appliances make it really easy to use these programmes and to get great results every time.

For those who want to be a little more adventurous our new feature rich Prima + ovens have additional programmes and settings to let you experiment.

For all your everyday needs

EFFICIENT

All Prima appliances have an excellent energy rating, meaning that they are better for the environment and also much cheaper to run.

**FREE
5 YEAR
GUARANTEE**

(5 YR PARTS/2 YR LABOUR)

With our parts & labour guarantee you can have the peace of mind that a Prima appliance will give you easy and reliable everyday use for years to come.





RANGE

The Prima range has everything you need to complete your kitchen, from built-in ovens to the kitchen sink.

Whether you prefer a gas hob or an induction hob (which can boil a pan of water in under a minute); ovens with dials or a digital touchscreen; or even if you prefer a 70/30 split fridge freezer to a 50/50 split; our Prima range has a great product to match your preferences.



VALUE

Prima products are specifically built to combine great features and looks at a price that suits every budget.

Our Prima⁺ products have added functions and style features that make them the ideal alternative to more expensive brands but at a much lower price adding to the value of buying Prima.

High spec products at a much lower price





GUARANTEE

We're so confident in the quality and build of our Prima appliance products that we offer a FREE 5 year parts & 2 year labour guarantee as standard on all our products, if you register your product with us within 30 days of purchase.

To register your guarantee please visit
www.Prima-Appliances.uk/Guarantee

So with virtually no risk with our guarantee, and with such good quality products at highly attractive prices, isn't it time you bought Prima?

5 FREE years of complete peace of mind

**FREE
5 YEAR
GUARANTEE**

(5 YR PARTS/2 YR LABOUR)

With our parts & labour guarantee you can have the peace of mind that a Prima appliance will give you easy and reliable everyday use for years to come.



PRIMA+

Bringing premium brand features at Prima prices

Our range of Prima+ products have features and functions usually associated with more expensive brands, but with Prima+ we focus on providing the everyday functions and settings that you will need most of the time.

By avoiding adding extra features that will largely go unused and by offering a more defined range centred around your daily use we can provide you with a product that competes with more expensive brands on achieving great results at a fraction of the price.

And when you factor in our 5 year parts guarantee and 2 years labour, the whole life value of a Prima+ product is hard to beat.

Adding more value for your money



BUILT-IN OVENS

Our range of Prima ovens provides different options to suit your tastes and needs. So if you prefer touchscreen or dials, black or silver trims, with more or fewer features, we have an oven that's right for you.

All of our range are built-in to fit neat and flush in your fitted kitchen and look great whatever your kitchen style.

Complementary products such as microwaves and hobs give you more great ways of achieving a high-end look and finish all at a very attractive price.

Cook, bake or roast your way

FUNCTION GUIDE

Key to function icons for ovens



ENERGY RATING

All our single ovens come with an A rating, all our double ovens come with an A rating upper cavity and an A rating lower cavity.



CONVENTIONAL COOKING

Combines top & bottom heating.



BOTTOM HEATING COOKING

Bottom heating only.



CONVECTIONAL COOKING WITH FAN ASSISTANCE

Combines top & bottom heating with fan assistance.



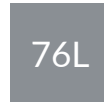
FAN WITH LOWER HEAT

Combines bottom heating with fan assistance.



PYROLYTIC CLEANING OVEN

An automatic cleaning function which means no detergents need to be used in the oven cavity. The inside of the oven is heated and reaches 480° at which point any grease stuck to the walls is simply burnt off. You can then wipe with a damp cloth.



CAPACITY

Oven capacity (litres).



GRILLS

Single/single variable/dual variable. Ovens come with a number of different grill models, see individual product page for the type of grill fitted.



GRILL AND FAN

Combination of grill and fan assisted.



ECO GRILL

Energy saving option.



CIRCA FAN COOKING

Our ovens come with a fan behind the back wall of the oven forces air through heating elements, food is cooked quicker and evenly in all parts of the oven.



CIRCA FAN COOKING WITH LOWER HEAT

Adds the lower heat element to the circa fan.



ELECTRONIC PROGRAMMER/DISPLAY

Electronic clock with digital timer.



MINUTE MINDER

Mechanical Timer.



DEFROST FUNCTION

Oven fan assists defrost by circulating air around food.



MICROWAVE

Cooking with microwave function.



13AMP SUPPLY

Can operate from a 13amp supply.



DIGITAL TEMPERATURE DISPLAY

Gives accurate oven temperature reading even when warming up.

All ovens come with a grill pan handle as standard.
For technical specification and features please see page 57.

Single Electric Ovens

NEW

BUILT-IN SINGLE ELECTRIC FAN OVEN

PRSO112



- 72 Litre capacity
- 6 Cooking functions
- Digital programmer
- EasyClean enamel
- Energy rating: A
- Removable double glazed door
- Removable side racks for easy cleaning
- 'Easy-remove' inner glass panel
- Dimensions: H 595 x W 594 x D 575mm
- Works on 13A supply
- 5 Year parts & 2 year labour

NEW

BUILT-IN SINGLE ELECTRIC FAN OVEN

PRSO114



- 72 Litre capacity
- 6 Cooking functions
- Digital programmer
- EasyClean enamel
- Energy rating: A
- Removable double glazed door
- Removable side racks for easy cleaning
- 'Easy-remove' inner glass panel
- Dimensions: H 595 x W 594 x D 575mm
- Works on 13A supply
- 5 Year parts & 2 year labour

BUILT-IN SINGLE ELECTRIC FAN OVEN

PRSO105



- Modern full black glass design
- 60 Litre capacity
- 4 Cooking functions
- Minute minder
- EasyClean enamel
- Energy rating: A
- Quick-remove door for easy cleaning
- Removable side racks for easy cleaning
- Dimensions: H 595 x W 595 x D 565mm
- Works on 13A supply
- 5 Year parts & 2 year labour

BUILT-IN SINGLE ELECTRIC FAN OVEN

PRSO107



- Modern full black glass design
- 60 Litre capacity
- 4 Cooking functions
- Digital programmer
- EasyClean enamel
- Energy rating: A
- Quick-remove door for easy cleaning
- Removable side racks for easy cleaning
- Dimensions: H 595 x W 595 x D 565mm
- Works on 13A supply
- 5 Year parts & 2 year labour

BUILT-IN SINGLE ELECTRIC FAN OVEN

PRSO101



- 60 Litre capacity
- 4 Cooking functions
- Minute minder
- EasyClean enamel
- Energy rating: A
- Quick-remove glass for easy cleaning
- Removable side racks for easy cleaning
- Dimensions: H 595 x W 595 x D 565mm
- Works on 13A supply
- 5 Year parts & 2 year labour

BUILT-IN SINGLE ELECTRIC FAN OVEN

PRSO103



- 60 Litre capacity
- 4 Cooking functions
- Digital programmer
- EasyClean enamel
- Energy rating: A
- Quick-remove glass for easy cleaning
- Removable side racks for easy cleaning
- Dimensions: H 595 x W 595 x D 565mm
- Works on 13A supply
- 5 Year parts & 2 year labour




BUILT-IN MICROWAVES

Designed to complement our ovens, both in style and functionality, our range of microwaves bring you all the ease and convenience benefits we expect from a microwave, including some built-in models that can fit inside a wall cabinet as well as a housing unit.

As a Prima product our microwaves focus on providing all the right functions you will need for your everyday and at a price that makes the decision to include one in your kitchen that little bit easier.

Look out for our Prima+ products...

 Our Prima+ microwave offers a sleek black glass design and can even fit inside a standard wall cupboard as well as a tall housing.

Quality and convenience

FUNCTION GUIDE

Key to function icons for microwaves



MICROWAVE

Cooking with microwave function.



GRILLS

Single/single variable/dual variable. Ovens come with a number of different grill models, see individual product page for the type of grill fitted.



MINUTE MINDER

Mechanical Timer.



JET DEFROST

Defrosts 7 times faster than a conventional microwave oven with even microwave distribution that works directly on the water molecules inside the food.



DEFROST FUNCTION

Oven fan assists defrost by circulating air around food.



CHILD LOCK

This locks the function, preventing the danger of children altering functions.



ELECTRONIC PROGRAMMER/DISPLAY

Electronic clock with digital timer.



EXPRESS COOKING

Facilitates cooking at full microwave power for short period.



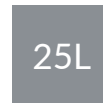
AUTO PROGRAMMES

Eg: Pizza, meat, pasta, potato, fish, vegetable, popcorn and beverage.



DIGITAL TIMER

Digital clock and timer



CAPACITY

Microwave capacity (litres).



13AMP SUPPLY

Can operate from a 13amp supply.

NEW 
**PRIMA+
 BUILT-IN
 BLACK
 MINI MICROWAVE & GRILL**
 PRCM112



- 4 Power levels
- 20 Litre capacity
- 700W Microwave
- 1000W Grill
- Digital timer
- Jet defrost
- Express cooking
- Touch Control
- Child safety lock
- Dimensions: H 382 x W 594 x D 316mm
- Works on 13A supply
- 5 Year parts & 2 year labour

NEW 
**PRIMA+
 BUILT-IN
 BLACK & STAINLESS STEEL
 MICROWAVE & GRILL**
 PRCM450



- 4 Power levels
- 35 Litre capacity
- 1000W Microwave
- 1650W Grill
- Digital timer
- Defrost setting
- Live digital temperature reading
- Touch Control
- Child safety lock
- 4 Functions
- Dimensions: H 455 x W 594 x D 530mm
- Works on 13A supply
- 5 Year parts & 2 year labour

NEW 
**PRIMA+
 BUILT-IN
 BLACK MICROWAVE & GRILL**
 PRCM451



- 4 Power levels
- 35 Litre capacity
- 1000W Microwave
- 1650W Grill
- Digital timer
- Defrost setting
- Live digital temperature reading
- Touch Control
- Child safety lock
- 4 Functions
- Dimensions: H 455 x W 594 x D 530mm
- Works on 13A supply
- 5 Year parts & 2 year labour

Microwaves

BUILT-IN STAINLESS STEEL FRAMED MICROWAVE AND GRILL

LCTM25F



- 5 Power levels
- 25 Litre capacity
- 900W Microwave
- 1000W Grill
- Digital timer
- Defrost setting
- Automatic cook menus
- Child safety lock
- 3 Functions
- Dimensions: H 388 x W 595 x D 410mm
- Works on 13A supply
- 5 Year parts & 2 year labour

BUILT-IN STAINLESS STEEL FRAMED MICROWAVE

LCTM201



- 5 Power levels
- 20 Litre capacity
- 800W
- Digital timer
- Cooking timer: 0-95 mins
- Defrost setting
- Express cooking
- Child safety lock
- Dimensions: H 382 x W 594 x D 316mm
- Works on 13A supply
- 5 Year parts & 2 year labour

BUILT-IN BLACK MICROWAVE

PRCM202



- 5 Power levels
- 20 Litre capacity
- 800W
- 35 minute timer
- Defrost setting
- Dimensions: H 384 x W 595 x D 336mm
- Works on 13A supply
- 5 Year parts & 2 year labour



HOBS

Choosing your hob type is a very personal decision and whether your preference is gas, electric, induction or ceramic the Prima range has a great solution for you.

Look out for our Prima+ products...



Our Prima+ gas on glass hobs are beautifully stylish and complement our Prima+ ovens and hoods to create a consistent and complete look usually associated with more expensive brands.

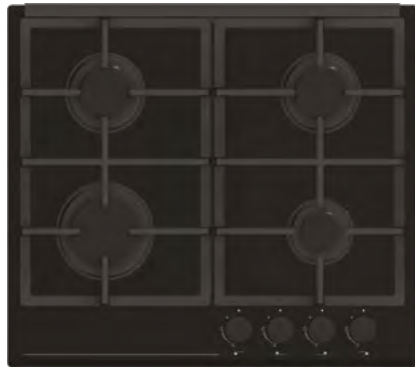
For technical specifications and features please see page 59-60






Whatever your preference

PRIMA+ 60CM 
GAS ON GLASS HOB

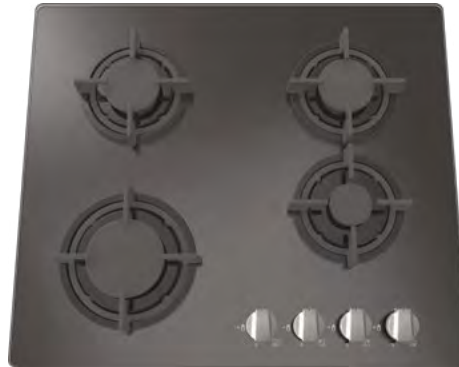
PRGH218



-  Frameless finish
-  Cast iron pan supports
-  Auto-ignition control knobs
 - 4 Burners
 - Auto lock safety device
 - Flame failure safety device
 - Cut-out dimensions (mm): W 560 x D 490
 - Dimensions: H 90 x W 590 x D 520mm
 - LPG Converter Kit supplied as standard
 - 5 Year parts & 2 year labour

60CM
GAS ON GLASS HOB

PRGH212



- Frameless finish
- Cast iron pan supports
- Auto-ignition control knobs
- 4 Burners
- Auto lock safety device
- Flame failure safety device
- Cut-out dimensions (mm): W 557 x D 477
- Dimensions: H 100 x W 580 x D 500mm
- LPG Converter Kit supplied as standard
- 5 Year parts & 2 year labour

70CM
GAS ON GLASS HOB

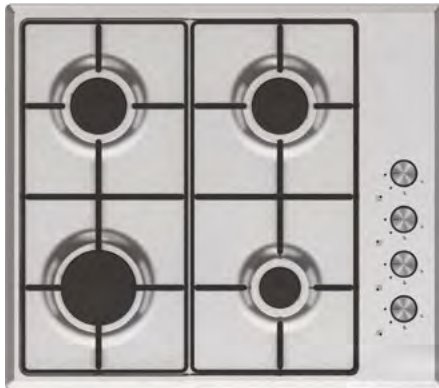
PRGH214



- Frameless finish
- Cast iron pan supports
- Auto-ignition control knobs
- 3.8kW Wok Burner
- 5 Burners
- Auto lock safety device
- Flame failure safety device
- Cut-out dimensions (mm): W 557 x D 477
- Dimensions: H 100 x W 700 x D 510mm
- LPG Converter Kit supplied as standard
- 5 Year parts & 2 year labour

60CM STAINLESS STEEL GAS HOB

PRGH106

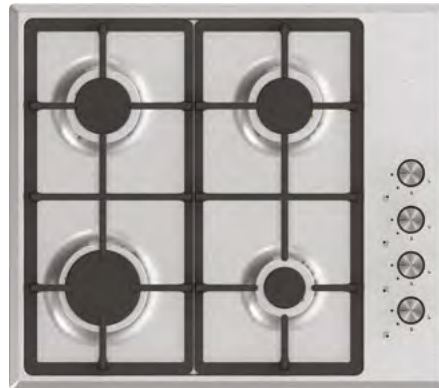


- 4 Burners
- Enamelled pan supports
- Push and turn electric ignition
- Easy clean top plate and control
- 8 Power settings
- Flame failure safety device
- Cut-out dimensions (mm): W 560 x D 490
- Dimensions: H 42 x W 590 x D 520mm
- LPG Converter Kit supplied as standard
- 5 Year parts & 2 year labour

60CM STAINLESS STEEL GAS HOB

PRGH108

WITH **CAST IRON** PAN SUPPORTS



- 4 Burners
- Cast iron pan supports
- Push and turn electric ignition
- Easy clean top plate and control
- 8 Power settings
- Flame failure safety device
- Cut-out dimensions (mm): W 560 x D 490
- Dimensions: H 42 x W 590 x D 520mm
- LPG Converter Kit supplied as standard
- 5 Year parts & 2 year labour

70CM STAINLESS STEEL GAS HOB

PRGH114

WITH **CAST IRON** PAN SUPPORTS



- 5 Burners
- 3.8kW Wok Burner
- Push and turn electric ignition
- Cast iron pan supports
- Flame failure safety device
- Cut-out dimensions (mm): W 557 x D 477
- Dimensions: H 42 x W 680 x D 500mm
- LPG Converter Kit supplied as standard
- 5 Year parts & 2 year labour

PRIMA+
**80CM VENTING
INDUCTION HOB**

PRVH001



- + Bridging zone
- + Touch control
- 4 Cooking zones
- Extraction rate: 398m³/h
- 61dB (A)
- Energy rating: B
- 3 venting speed levels
- Black glass frameless finish
- Maximum nominal power: 6.8kW
- Cut-out dimensions (mm): W 780 x D 500
- Dimensions: H 60 x W 800 x D 520mm
- Compatible with Prima Carbon Filter (PRF010) for recirculation
- 5 Year parts & 2 year labour

PRIMA+
**60CM
INDUCTION HOB**

PRIH210



- + Black glass with stainless steel trim to coordinate with '+' oven models
- Slider controls
- 4 Cooking zones
- Residual heat indicators
- Child safety lock
- Auto shut-off safety mechanism
- Maximum nominal power: 7.2kW
- Cut-out dimensions (mm): W 560 x D 490
- Dimensions: H 62 x W 590 x D 520mm
- 5 Year parts & 2 year labour

**75CM
INDUCTION HOB**

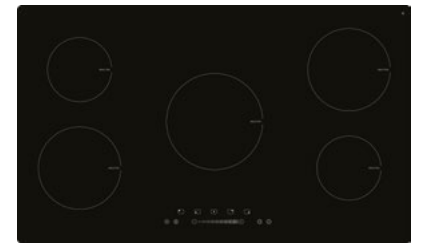
PRIH206



- Slider controls
- 5 Cooking zones
- Extra large centre zone
- Residual heat indicators
- Digital timer function
- Child safety lock
- Maximum nominal power: 7.4kW
- Cut-out dimensions (mm): W 730 x D 490
- Dimensions: H 62 x W 750 x D 520mm
- 5 Year parts & 2 year labour

**90CM
INDUCTION HOB**

PRIH208



- Slider controls
- 5 Cooking zones
- Residual heat indicators
- Timer at each zone (1-99 minutes)
- Child safety lock
- Auto shut-off safety mechanism
- Black glass frameless finish
- Maximum nominal power: 7.4kW
- Cut-out dimensions (mm): W 830 x D 490
- Dimensions: H 62 x W 860 x D 520mm
- 5 Year parts & 2 year labour

60CM INDUCTION HOB

PRIH017



- Touch control
- 4 Cooking zones
- Residual heat indicators
- Timer at each zone (1-99 minutes)
- Child safety lock
- Auto shut-off safety mechanism
- Black glass framless finish
- Maximum nominal power: 7.0kW
- Cut-out dimensions (mm): W 560 x D 490
- Dimensions: H 62 x W 590 x D 520mm
- 5 Year parts & 2 year labour

The PRIH019 hob is designed to be 'plug and play' by ensuring the maximum load does not exceed 3kW when in use. To do this, the hob cleverly balances it's achievable power levels to ensure a combined maximum of 20 is not exceeded.

60CM INDUCTION HOB

Includes 13 amp plug

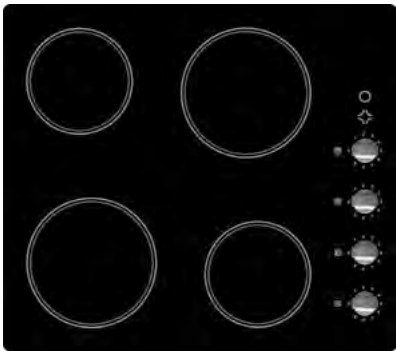
PRIH019



- Touch control
- 4 Cooking zones
- Residual heat indicators
- Timer at each zone (1-99 minutes)
- Child safety lock
- Auto shut-off safety mechanism
- Black glass framless finish
- Maximum nominal power: 3kW
- Cut-out dimensions (mm): W 560 x D 490
- Dimensions: H 62 x W 590 x D 520mm
- 5 Year parts & 2 year labour

60CM CERAMIC HOB

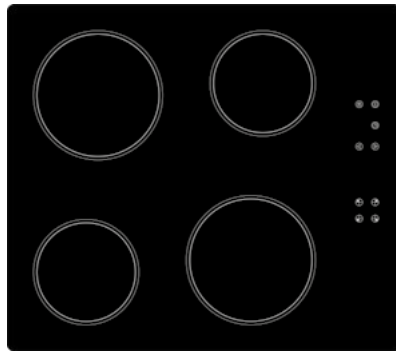
PRCEH104



- 4 Hi-light cooking zones
- Residual heat indicators
- Easy grip control knobs
- Black glass frameless finish
- Auto safety shut off
- Maximum nominal power: 6kW
- Cut-out dimensions (mm): W 564 x D 494
- Dimensions: H 52 x W 580 x D 510mm
- 5 Year parts & 2 year labour

60CM CERAMIC HOB

PRCEH107



- Touch control and digital display
- 4 Hi-light cooking zones
- Residual heat indicators
- Timer at each zone (1-99 minutes)
- Auto safety shut off
- Child safety lock
- Black glass frameless finish
- Maximum nominal power: 6kW
- Cut-out dimensions (mm): W 564 x D 494
- Dimensions: H 62 x W 580 x D 510mm
- 5 Year parts & 2 year labour

75CM CERAMIC HOB

PRCEH110



- Touch Control
- 5 Cooking zones
- Residual heat indicators
- Timer at each zone (1-99 minutes)
- Child safety lock
- Auto safety shut-off
- 9 Power levels
- Maximum nominal power: 7.7kW
- Dimensions: H 77 x W 750 x D 510mm
- 5 Year parts & 2 year labour

90CM CERAMIC HOB

PRCEH112



- Touch Control
- 5 Cooking zones
- Residual heat indicators
- Timer at each zone (1-99 minutes)
- Child safety lock
- Auto safety shut-off
- 9 Power levels
- Maximum nominal power: 8.5kW
- Dimensions: H 77 x W 860 x D 520mm
- 5 Year parts & 2 year labour



Prima Angled Hoods add real style to any kitchen with sleek design and LED down lights




Modern Hoods with LED touch controls

HOODS

Our Hoods range has a wide variety of styles and types giving you complete flexibility, whether for use over an island, wall mounted or even our Prima+ downdraft hood which fits into your worktop.

Look out for our Prima+ products...

 Our Prima+ hoods are highly functional with excellent extraction rates and yet are stylish enough to enhance the look of any kitchen.




For technical specifications and features please see page 61

Style and function combined

PRIMA+ 
90CM
CEILING HOOD

PRCH301






-  Extraction rate: 718m³/h
-  Remote control switch
-  3 Speed settings and booster function
 - 4 x 1W LED bulbs
 - 69 dBA
 - Energy rating: B
 - Dimensions:
 - H 76 (body) + 170 (motor)
 - x W 900
 - x D 600mm
 - PRDK150 Prima ducting kit (optional)
 - Can be recirculated with carbon filter PRF008
 - 5 Year parts & 2 year labour

PRIMA+ 
90CM
DOWNDRAFT HOOD

PRDE0004

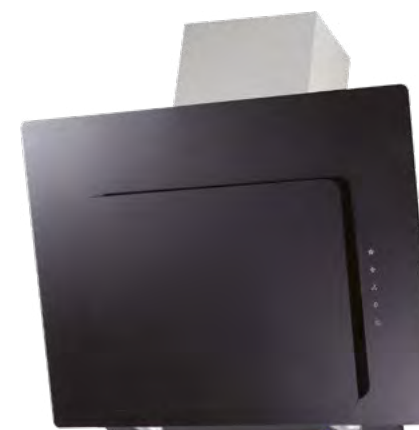






-  Extraction rate: 549m³/h
-  Touch control
-  3 Speed settings and booster function
 - 2 x 1W LED bulbs
 - 67dBA
 - Energy rating: D
 - Dimensions: H 330 x W 880 x D 94mm
 - Can be recirculated with carbon filter PRF008
 - Retracts into worktop when not in use
 - PRDK150 Prima ducting kit (optional)
 - 5 Year parts & 2 year labour

Cannot be used with a gas hob

PRIMA+ 
60/70
**STAINLESS STEEL/
 GLASS ANGLED HOOD**

PRAE1002



-  Extraction rate: 387m³/h
-  White LED Touch control
-  3 Speed settings
-  15 minute timer
 - Anodised aluminium filter
 - 2 x LED lights
 - 62 dBA
 - Energy rating: B
 - Dimensions: H 810-1110 x W 600 x D 330mm
 - PRF006 Carbon filter to suit (optional)
 - PRDK125 Prima ducting kit (optional)
 - PRAE900 Chimney extension stainless steel (optional)
 - 5 Year parts & 2 year labour

PRIMA+ 
BOX CHIMNEY HOOD
- BLACK

PRCH027 - 60cm



- + Extraction rate: 354m³/h
- + Touch control black glass panel
- + 3 Speed settings
- + White LED to match Prima+ ovens
- + Digital LED clock
- + Delay timer (1-9 minutes)
 - 2x 1W LED lamps
 - 70 dBA
 - Energy rating: C
 - Dimensions: H 450-750 x W 600 x D 450mm
 - PRF007 Carbon filter to suit (optional)
 - PRCH802 Chimney extension (optional)
 - PRDK125 Prima ducting kit (optional)
 - 5 Year parts & 2 year labour

ANGLED HOOD

PRAE0018 - 60cm

PRAE0020 - 70cm

PRAE0022 - 90cm



- Extraction rate: 387m³/h
- Push button control
- 3 Speed settings
- Anodised aluminium filter
- 2x LED lights
- 62 dBA
- Energy rating: B
- Dimensions: H 780-1080 x W 600/700/900 x D 313mm
- PRF006 Carbon filter to suit (optional)
- PRAE801 Chimney extension black (optional)
- PRDK125 Prima ducting kit (optional)
- 5 Year parts & 2 year labour

STAINLESS STEEL
CURVED GLASS
CHIMNEY HOOD

PRCGH008 - 60CM



- Maximum extraction: 278m³/h
- Push button control
- 3 Speed settings
- Aluminium filter
- 1x LED light
- 65 dBA
- Energy rating: B
- Dimensions: H 430-730 x W 600 x D 450mm
- PRF006 Carbon filter to suit (optional)
- PRCGH801 Chimney extension stainless steel (optional)
- PRDK125 Prima ducting kit (optional)
- 5 Year parts & 2 year labour

STAINLESS STEEL CHIMNEY HOOD

PRCH020 - 60CM

ALSO AVAILABLE IN BLACK

PRCH021 - 60CM



- Maximum extraction: 379m³/h
- 2x Anodised aluminium filters
- 2x 2.8W LED lights
- 60 dBA
- Energy rating: D
- Dimensions: H 583-898 x W 600 x D 450mm
- LIA210 Carbon filter to suit (optional)
- PRCH800 Chimney extension stainless steel (optional)
- PRCH900 Chimney extension black (optional)
- PRDK150 Prima ducting kit (optional)
- 5 Year parts & 2 year labour

BLACK CURVED GLASS CHIMNEY HOOD

PRCGH009 - 60CM



- Maximum extraction: 278m³/h
- Push button control
- 3 Speed settings
- Aluminium filter
- 1x LED light
- 65 dBA
- Energy rating: B
- Dimensions: H 540-740 x W 600 x D 450mm
- PRF006 Carbon filter to suit (optional)
- PRCGH901 Chimney extension black (optional)
- PRDK125 Prima ducting kit (optional)
- 5 Year parts & 2 year labour

GREY INTEGRATED HOOD

PRCH550



- Extraction rate: 263m³/h
- Slider buttons
- 3 Speed settings
- Auto-start when opened
- Acrylic filter
- 1x 2.8W LED light
- 61 dBA
- Energy rating: D
- Dimensions: H 400 x W 600 x D 495mm
- LIA210 Carbon filter to suit (optional)
- PRDK125 Prima ducting kit (optional)
- 5 Year parts & 2 year labour

60CM SILVER VISOR HOOD

PRCH400

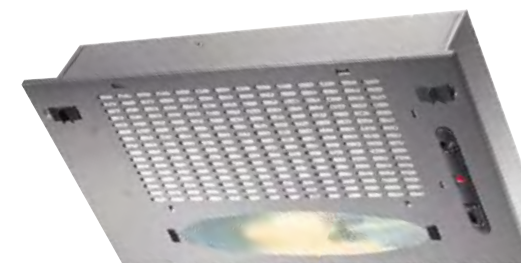


- Extraction rate: 231m³/h
- Push buttons
- 3 Speed settings
- Acrylic filter
- 1x 2.8W LED bulb
- 62 dBA
- Energy rating: D
- Dimensions: H 150 x W 600 x D 520mm
- LIA200 Filter to suit (optional)
- PRDK125 Prima ducting kit (optional)
- 5 Year parts & 2 year labour

GREY CANOPY HOOD

PRCH700- 53CM

PRCH701- 71CM



- Extraction rate: 273m³/h
- Acrylic filter
- 2x 2.8W LED light
- 61 dBA
- Energy rating: D
- Dimensions: H 148 x W 527/707 x D 283mm
- LIA210 filter to suit (optional)
- PRDK125 optional ducting kit for PRCH700
- PRDK150 optional ducting kit for PRCH701
- 5 Year parts & 2 year labour

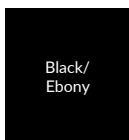
GLASS SPLASHBACKS

60CM STRAIGHT SPLASHBACK

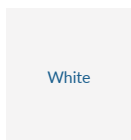
LES001/LES002/LES003

60CM CURVED SPLASHBACK

LES101



Black/
Ebony



White



Pewter

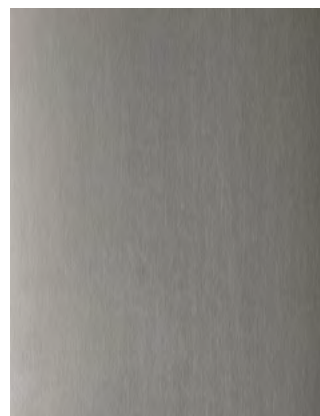
- Made in UK
- Dimensions: H 750 x W 600 x D 6mm
- Curved splashbacks designed to fit PRCGH008 &

STAINLESS STEEL SPLASHBACKS

60/70/90

STRAIGHT SPLASHBACK

LCT025/LCT026/LCT027

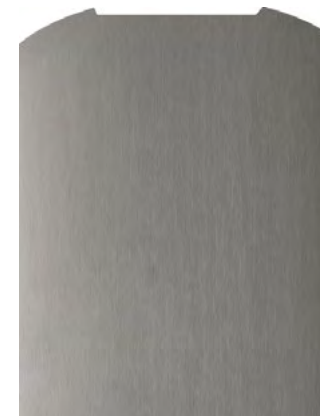


- Made in UK
- Dimensions:
H 750 x W 600/700/900 x D 10mm
- Easy-fit design
- Quality 430 brushed stainless steel

60CM

CURVED SPLASHBACK

LAA004



- Made in UK
- Dimensions: H 750 x W 600 x D 10mm
- Designed to fit PRCGH008 &
- MDF backed
- Quality 430 brushed stainless steel



All Prima Splashbacks are
manufactured in the UK



Prima Chrome Wine Rack is available as an optional extra for Prima Fridge Freezers

BUILT-IN COOLING

All Prima fridges, freezers and combined fridge freezers are built-in so that externally they appear as another cabinet or unit in your kitchen.

Our Prima fridge freezers also look great on the inside with either silver or grey trim and an optional chrome wine rack.

The Prima range also includes frost-free options, making them comparable with products usually associated with more expensive brands.



Prima Frost-free Fridge Freezers feature a grey trim for a highly stylised look

Looks stylish inside and out

FUNCTION GUIDE

Key to function icons



FROST FREE

This innovative system eliminates the formation of ice on food and the freezer interior.



AUTO DEFROST

Automatically defrosts the fridge at regular intervals without the need to switch off the appliance or remove the food stored.



FAST FREEZE

The fast freeze function rapidly lowers the temperature ensuring that fresh food is frozen quickly.



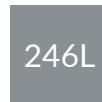
STAR RATING

Freezer compartments allow food to be stored below -18°C, so that it can be kept for longer.



LED DISPLAY

To show current and set temperature within the wine cabinet.



CAPACITY

Giving the overall capacity in litres.

Cooling

50/50 FROST FREE FRIDGE FREEZER

PRRF501



- Frost Free
- Grey trim on shelves and balconies
- Chrome wine rack (optional extra)
- ★★★★★ Freezer rating
- 147 Litre capacity fridge
- 77 Litre capacity freezer
- 3 Adjustable shelves
- 2 Salad crispers
- Reversible doors
- Flame retardant metal back
- Energy rating: E
- Dimensions:
H 1770 x W 540 x D 540mm
- 5 Year parts & 2 year labour

70/30 FROST FREE FRIDGE FREEZER

PRRF701



- Frost Free
- Grey trim on shelves and balconies
- Chrome wine rack (optional extra)
- ★★★★★ Freezer rating
- 182 Litre capacity fridge
- 56 Litre capacity freezer
- 4 Adjustable shelves
- 2 Salad crispers
- Reversible doors
- Flame retardant metal back
- Energy rating: E
- Dimensions:
H 1770 x W 540 x D 540mm
- 5 Year parts & 2 year labour

CHROME WINE RACK

PRRF900

Complement your fridge and add a stylish chrome wine rack.

- Fits in PRRF501/503/701/703/212



50/50 FRIDGE FREEZER

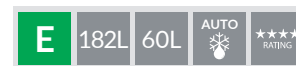
PRRF503



- 147 Litre capacity fridge
- 81 Litre capacity freezer
- Silver trim on shelves and balconies
- Automatic defrost fridge
- Manual defrost freezer
- 4 Adjustable shelves
- 2 Salad crispers
- Reversible doors
- Flame retardant metal back
- ★★★★★ Freezer rating
- Energy rating: E
- Dimensions:
H 1770 x W 540 x D 540mm
- 5 Year parts & 2 year labour

70/30 FRIDGE FREEZER

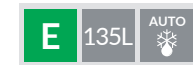
PRRF703



- 182 Litre capacity Fridge
- 60 Litre capacity freezer
- Silver trim on shelves and balconies
- Auto defrost fridge
- Manual defrost freezer
- 5 Adjustable shelves
- 2 Salad crispers
- Reversible doors
- Flame retardant metal back
- ★★★★★ Freezer rating
- Energy rating: E
- Dimensions:
H 1770 x W 540 x D 540mm
- 5 Year parts & 2 year labour

UNDER COUNTER LARDER FRIDGE

PRRF101



- 135 Litre capacity fridge
- 3 Glass shelves
- Hettich hinges
- Automatic defrost
- Flame retardant metal back
- Reversible door
- Energy rating: E
- Dimensions:
H 820-870 x W 596 x D 550mm
- Multiple shelf levels to help utilise space
- 2 Salad crispers
- 5 Year parts & 2 year labour

UNDER COUNTER FRIDGE WITH ICE BOX

PRRF150



- 100 Litre capacity fridge
- 17 Litre capacity freezer
- 2 Glass shelves
- Hettich hinges
- Automatic defrost fridge
- Manual defrost freezer
- Flame retardant metal back
- Reversible door
- ★★★★★ Freezer rating
- Energy rating: E
- Dimensions: H 820-870 x W 596 x D 550mm
- 5 Year parts & 2 year labour

UNDER COUNTER LARDER FREEZER

PRRF103



- 95 Litre capacity freezer
- Fast freeze function
- Hettich hinges
- Flame retardant metal back
- Manual defrost
- Reversible door
- ★★★★★ Freezer rating
- Energy rating: E
- Dimensions: H 818-870 x W 596 x D 550mm
- 5 Year parts & 2 year labour

BUILT-IN LARDER FRIDGE

PRRF212



- 301 Litre capacity fridge
- Automatic defrost
- 5 Glass shelves
- 2 Salad drawers
- Energy rating: E
- Silver trim on shelves and balconies
- Flame retardant metal back
- Reversible door
- Chrome wine rack (optional extra)
- Dimensions: H 1770 x W 540 x D 540mm
- 5 Year parts & 2 year labour

BUILT-IN LARDER FREEZER

PRRF211



- 200 Litre capacity freezer
- 7 Crystal drawers
- Fast freeze function
- Low noise
- Manual defrost
- Flame retardant metal back
- Reversible door
- ★★★★★ Freezer rating
- Energy rating: F
- Dimensions: H 1770 x W 540 x D 540mm
- 5 Year parts & 2 year labour

**150MM
WINE COOLER**

STAINLESS STEEL - PRWC401



- 22 Litre capacity
- 7 Bottle capacity (fits all bottle types)
- 6 Wooden shelves
- Interior LED lighting
- Internal temperature range 4-20°C
- Adjustable feet
- Energy rating: G
- White LED temperature display
- Dimensions: H 870-920 x W 149 x D 528mm
- 5 Year parts & 2 year labour

**300MM
WINE COOLER**

STAINLESS STEEL - PRWC407

BLACK - PRWC408



- 60 Litre capacity
- 18 Bottle capacity
- 5 Wooden shelves
- Interior LED lighting
- Internal temperature range 4-22°C
- Adjustable feet
- Energy rating: F
- Reversible door
- Digital temperature display
- Dimensions: H 820-870 x W 295 x D 575mm
- 5 Year parts & 2 year labour

**600MM
WINE COOLER**

STAINLESS STEEL - PRWC406

BLACK - PRWC405



- 127 Litre capacity
- 44 Bottle capacity
- 4 Wooden shelves
- Internal light
- Energy rating: G
- 39dB noise level
- Reversible door
- Digital temperature display with adjustable thermostat
- °C or °F display option
- Temperature warning alarm
- Exterior stainless steel handle
- Auto defrost
- Replaceable door gaskets
- 5 years parts & 2 years labour
- Dimensions: H 813-870 x W 595 x D 574mm



Prima+ 60cm Dishwasher with space for 14 place settings

INTEGRATED DISHWASHERS

All Prima dishwashers are integrated into your kitchen ensuring that your kitchen look is seamless.

Look out for our Prima+ products...



Our Prima+ dishwasher has space for an impressive 14 place settings, has a separate and convenient adjustable cutlery tray and an "in operation" floor light to show you when the dishwasher cycle is running, all within a product that has a C energy rating (on a scale from A-G).

With so many features and at such an attractive price, our Prima+ dishwasher is hard to beat.

For technical specifications and features please see page 63



Prima+ Adjustable Cutlery Tray



Prima+ "In Operation" Floor Light

Practical and efficient

PRIMA+ 60CM INTEGRATED DISHWASHER

PRDW214



- + 14 Place settings
- + "In Operation" floor light
- + Adjustable cutlery drawer
- + Turbo speed function
- + Low noise 42dB
- + Load-sensing "Auto" program
- + Energy rating: C
 - 7 Programmes
 - 30 Minute rapid wash
 - Height adjustable top basket
 - Delay timer option
 - 3 Spray levels
 - Only uses 10L water on a typical cycle
 - Dimensions: H 815 x W 598 x D 550mm
 - 5 Year parts & 2 year labour

60CM INTEGRATED DISHWASHER

PRDW210



- 12 Place settings
- 4 Programmes
- 11 Litre water consumption
- Delay timer option
- 30 Minute rapid wash
- 49 dBA
- Height adjustable top basket
- Energy rating: E
- Dimensions: H 815 x W 598 x D 550mm
- 5 Year parts & 2 year labour

45CM INTEGRATED SLIMLINE DISHWASHER

PRDW300



- 10 Place settings
- 6 Programmes
- 4 Temperature levels
- 9 Litre water consumption
- 2 Spray levels
- 30 Minute rapid wash
- 49 dBA
- Energy rating: D
- Adjustable feet
- Delay timer option
- Dimensions: H 815 x W 448 x D 550mm
- 5 Year parts & 2 year labour



Prima laundry products are all fully integrated

INTEGRATED LAUNDRY

Our Prima laundry range offers a simple choice of washing machines or combined washer dryers.

Every product is integrated so it is hidden away behind your cabinet door even during a wash or drying cycle. With up to 8kg load capacity and a 1400 RPM spin our laundry range offers great specs for its price and comes with our 5 years parts (2 year labour) guarantee.

For technical specifications and features please see page 63



The Prima Washing Machine has an A Energy Rating and an extra large door for easy loading

Perfect for your fitted kitchen

NEW

INTEGRATED WASHING MACHINE

PRLD371



A

- 7kg Load capacity
- 1400 rpm spin
- 16 programmes
- 15 minute quick wash function
- Delay start (0-24 hrs)
- Larger port hole for easy loading
- Energy rating: A
- Dimensions: H 825 x W 595 x D 540mm
- 5 Year parts & 2 year labour

INTEGRATED WASHER DRYER

PRLD375



B

- 8kg Load (6kg Dry) capacity
- 1400 rpm spin
- 16 programmes
- 15 minute quick wash function
- Delay start (0-24 hrs)
- Larger port hole for easy loading
- Energy rating: B/E
- Dimensions: H 825 x W 595 x D 540mm
- 5 Year parts & 2 year labour



SINKS

To complete your kitchen we offer a range of sinks in various materials and styles to suit your tastes and needs.

All our sinks come with an impressive 20 year guarantee giving you complete peace of mind.

Look out for our Prima+ products...



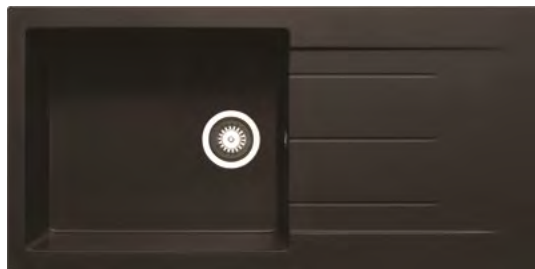
Our luxurious collection of granite sinks offers a great choice of colour finishes as well as excellent durability and practicality.

Complete your kitchen



PRIMA+ 
GRANITE 1.0 BOWL

CPR318/CPR319/CPR320/CPR321



- + Extra large bowl
- + Scratch resistant
- + Stain resistant
- + Granite
- + Plumbing kit included
 - Waste and overflow included
 - Dimensions: W 1000 x D 500 x H 203mm
 - Bowl dimensions: W 495 x D 415 x H 203mm
 - Cut-out depth: 480mm. Cut-out width: 980mm
 - Minimum cabinet width: 600mm
 - Reversible with pre 'part drilled' tap holes
 - 20 Year guarantee

PRIMA+ 
GRANITE 1.5 BOWL

CPR322/CPR323/CPR324/CPR325



- + Scratch resistant
- + Stain resistant
- + Granite
- + Plumbing kit included
 - Waste and overflow included
 - Dimensions: W 1000 x D 500 x H 203mm
 - Main bowl dimensions: W 340 x D 420 x H 203mm
 - 1/2 bowl dimensions: W 160 x D 340 x H 150mm
 - Cut-out depth: 480mm. Cut-out width: 980mm
 - Minimum cabinet width: 600mm
 - Reversible with pre 'part drilled' tap holes
 - 20 Year guarantee

PRIMA+ 
COMPACT GRANITE 1.0 BOWL

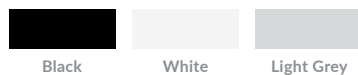
CPR344/CPR345/CPR346/CPR347



- + Compact design for smaller spaces
- + Scratch resistant
- + Stain resistant
- + Granite
- + Plumbing kit included
 - Waste and overflow included
 - Dimensions: W 860 x D 500 x H 203mm
 - Main bowl dimensions: W 340 x D 420 x H 203mm
 - Cut-out depth: 480mm. Cut-out width: 840mm
 - Minimum cabinet width: 500mm
 - Reversible with pre 'part drilled' tap holes
 - 20 Year guarantee

PRIMA+ GRANITE 1.0 BOWL UNDERMOUNT SINK

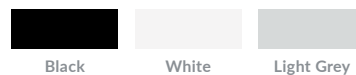
CPR356/CPR357/CPR358



- + Scratch resistant
- + Stain resistant
- + Granite
- + Plumbing kit included
 - Waste and overflow included
 - Dimensions: W 540 x D 440 x H 207mm
 - Bowl dimensions: W 500 x D 400 x H 207mm
 - Cut-out depth: 400mm. Cut-out width: 500mm
 - Minimum cabinet width: 600mm
 - 20 Year guarantee

PRIMA+ GRANITE 1.5 BOWL UNDERMOUNT SINK

CPR359/CPR360/CPR361



- + Scratch resistant
- + Stain resistant
- + Granite
- + Plumbing kit included
 - Waste and overflow included
 - Dimensions: W 590 x D 440 x H 207mm
 - Bowl dimensions: W 325 x D 400 x H 207mm
 - 1/2 Bowl dimensions: W 160 x D 400 x H 177mm
 - Cut-out depth: 400mm. Cut-out width: 550mm
 - Minimum cabinet width: 600mm
 - 20 Year guarantee

SINGLE BOWL PLUMBING KIT

CPR106



TWO BOWL PLUMBING KIT

CPR108



1.0 BOWL TRADITIONAL CERAMIC SINK

CPR412



- Made from durable ceramic
- Waste included
- Dimensions: W 1015 x D 525 x H 220mm
- Bowl dimensions: W 420 x D 400 x H 220mm
- Cut-out depth: 505mm. Cut-out width: 995mm
- Minimum cabinet width: 600mm
- Reversible
- Gloss finish
- CPR106 plumbing kit (optional)
- 20 Year guarantee

1.5 BOWL TRADITIONAL CERAMIC SINK

CPR410



- Made from durable ceramic
- Waste included
- Dimensions: W 1015 x D 525 x H 220mm
- Main bowl dimensions: W 360 x D 400 x H 220mm
- 1/2 Bowl dimensions: W 130 x D 260 x H 120mm
- Cut-out depth: 505mm. Cut-out width: 995mm
- Minimum cabinet width: 600mm
- Reversible
- Gloss finish
- CPR108 plumbing kit (optional)
- 20 Year guarantee

1.0 BOWL BELFAST SINK

CPR4081



- Made from fine fireclay material with hygienic glazed surface
- Waste included
- Dimensions: W 595 x D 455 x H 250mm
- Minimum cabinet width: 600mm
- Reversible
- Gloss finish
- CPR106 plumbing kit (optional)
- 20 Year guarantee

Sinks & Taps Packs

COMPACT 1 BOWL SINK & TAP PACK

CPR040



- Stainless steel
- Contains waste, overflow and single lever tap
- Sink dimensions: W 860 x D 500 x H 170mm
- Minimum cabinet width: 500mm
- Bowl dimensions: W 380 x D 400 x H 160mm
- Reversible Sink
- Cut-out depth: 482mm. Cut-out width: 842mm
- Made from 0.6mm gauge stainless steel
- Pre-drilled tap holes
- Tap minimum pressure 0.3 bar
- Flow aerator
- Fully WRAS approved tap
- CPR106 plumbing kit (optional)
- Sink: 20 year guarantee;
- Tap: 5 year body & finish, 3 year valves, 1 year serviceable parts

1 BOWL SINK & TAP PACK

CPR041



- Stainless steel
- Contains waste, overflow and single lever tap
- Sink dimensions: W 965 x D 500 x H 170mm
- Minimum cabinet width: 550mm
- Bowl dimensions: W 410 x D 410 x H 170mm
- Reversible Sink
- Cut-out depth: 476mm. Cut-out width: 941mm
- Made from 0.6mm gauge stainless steel
- Pre-drilled tap holes
- Tap minimum pressure 0.3 bar
- Flow aerator
- Fully WRAS approved tap
- CPR106 plumbing kit (optional)
- Sink: 20 year guarantee;
- Tap: 5 year body & finish, 3 year valves, 1 year serviceable parts

1.5 BOWL SINK & TAP PACK

CPR042



- Stainless steel
- Contains waste, overflow and single lever tap
- Sink dimensions: W 965 x D 500 x H 155mm
- Minimum cabinet width: 600mm
- Main bowl dimensions: W 346 x D 396 x H 130mm
- 1/2 bowl dimensions: W 170 x D 320 x H 70mm
- Reversible Sink
- Cut-out depth: 482mm. Cut-out width: 947mm
- Made from 0.6mm gauge stainless steel
- Pre-drilled tap holes
- Tap minimum pressure 0.3 bar
- Flow aerator
- Fully WRAS approved tap
- CPR108 plumbing kit (optional)
- Sink: 20 year guarantee;
- Tap: 5 year body & finish, 3 year valves, 1 year serviceable parts

Stainless Steel Sinks

1.0 BOWL SINK

CPR024



✓ 20 YEAR
GUARANTEE

- Stainless steel
- Sink dimensions: W 965 x D 500 x H 170mm
- Bowl dimensions: W 410 x D 410 x H 170mm
- Minimum cabinet width: 550mm
- Reversible Sink
- Cut-out depth: 476mm
Cut-out width: 941mm
- Made from 0.6mm gauge stainless steel
- Pre-drilled tap holes
- CPR106 plumbing kit (optional)
- 20 Year guarantee

1.5 BOWL SINK

CPR026



✓ 20 YEAR
GUARANTEE

- Stainless steel
- Sink dimensions: W 965 x D 500 x H 155mm
- Main bowl dimensions: W 346 x D 396 x H 130mm
- 1/2 Bowl dimensions: W 170 x D 320 x H 70 mm
- Minimum cabinet width: 600mm
- Reversible Sink
- Made from 0.6mm gauge stainless steel
- Cut-out depth: 482mm
Cut-out width: 947mm
- Pre-drilled tap holes
- CPR108 plumbing kit (optional)
- 20 Year guarantee



Stainless Steel Sinks

DEEP BOWL 1.0

CPR030



✓ 20 YEAR
GUARANTEE

- Made from 0.8mm gauge stainless steel
- Dimensions: W 1000 x D 500 x H 200mm
- Bowl dimensions: W 480 x D 400 x H 200mm
- Minimum cabinet width: 600mm
- Reversible
- Waste & overflow included
- CPR106 plumbing kit (optional)
- 20 Year guarantee

DEEP BOWL 1.5

CPR032



✓ 20 YEAR
GUARANTEE

- Made from 0.8mm gauge stainless steel
- Dimensions: W 1000 x D 500 x H 200mm
- Main bowl dimensions: W 350 x D 410 x H 200mm
- 1/2 Bowl dimensions: W 164 x D 300 x H 143mm
- Minimum cabinet width: 600mm
- Reversible
- Waste & overflow included
- CPR108 plumbing kit (optional)
- 20 Year guarantee



PRIMA+ 
R10 0.5 BOWL
INSET/UNDERMOUNT SINK
 CPR516



- +** The R10 range offers an ultra modern design with tight angles on the internal corners of the sink
- Waste and overflow included
- Dimensions: W 220 x D 440 x H 125mm
- Bowl dimensions: W 180 x D 400 x H 119
- Includes a cut-out template
- Minimum cabinet width: 250mm
- CPR106 plumbing kit available (optional)
- 20 Year guarantee

PRIMA+ 
R10 1.0 BOWL
INSET/UNDERMOUNT SINK
 CPR518



- +** The R10 range offers an ultra modern design with tight angles on the internal corners of the sink
- Waste and overflow included
- Dimensions: W 380 x D 440 x H 190mm
- Bowl dimensions: W 340 x D 400 x H 190mm
- Includes a cut-out template
- Minimum cabinet width: 450mm
- CPR106 plumbing kit available (optional)
- 20 Year guarantee

PRIMA+ 
R10 1.0 BOWL MEDIUM
INSET/UNDERMOUNT SINK
 CPR520



- +** The R10 range offers an ultra modern design with tight angles on the internal corners of the sink
- Waste and overflow included
- Dimensions: W 450 x D 440 x H 190mm
- Bowl dimensions: W 410 x D 400 x H 190mm
- Includes a cut-out template
- Minimum cabinet width: 450mm
- CPR106 plumbing kit available (optional)
- 20 Year guarantee

Stainless Steel Sinks

PRIMA+ 
**R10 1.0 BOWL LARGE
 INSET/UNDERMOUNT SINK**
 CPR522



- + The R10 range offers an ultra modern design with tight angles on the internal corners of the sink
 - Waste & overflow included
 - Dimensions: W 590 x D 440 x H 190mm
 - Main bowl dimensions: W 550 x D 400 x H 190mm
 - Includes a cut-out template
 - Minimum cabinet width: 600mm
 - CPR106 plumbing kit available (optional)
 - 20 Year guarantee

PRIMA+ 
**R10 1.5 BOWL
 INSET/UNDERMOUNT SINK**
 CPR524




- + The R10 range offers an ultra modern design with tight angles on the internal corners of the sink
 - Waste and overflow included
 - Dimensions: W 590 x D 440 x H 190mm
 - Main bowl dimensions: W 340 x D 400 x H 190mm
 - ½ Bowl dimensions: W 180 x D 400 x H 125mm
 - Includes a cut-out template
 - Minimum cabinet width: 600mm
 - Left hand main bowl
 - CPR108 plumbing kit available (optional)
 - 20 Year guarantee

PRIMA+ 
**R10 1.5 BOWL LARGE
 INSET/UNDERMOUNT SINK**
 CPR526




- + The R10 range offers an ultra modern design with tight angles on the internal corners of the sink
 - Waste and overflow included
 - Dimensions: W 660 x D 440 x H 190mm
 - Main bowl dimensions: W 410 x D 400 x H 190mm
 - ½ Bowl dimensions: W 180 x D 400 x H 125mm
 - Includes a cut-out template
 - Minimum cabinet width: 700mm
 - Left hand main bowl
 - CPR108 plumbing kit available (optional)
 - 20 Year guarantee

PRIMA+ 
R25 0.5 BOWL
UNDERMOUNT SINK
 CPR044




- + The R25 range offers a contemporary design with tight angles on the internal corners of the sink
- Waste & overflow included
- Dimensions: W 234 x D 450 x H 120mm
- Bowl dimensions:
W 180 x D 396 x H 120mm
- Includes a cut-out template
- Minimum cabinet width: 250mm
- CPR106 plumbing kit available (optional)
- 20 Year guarantee

PRIMA+ 
R25 1.0
COMPACT BOWL
UNDERMOUNT SINK
 CPR046



- + The R25 range offers a contemporary design with tight angles on the internal corners of the sink
- Waste & overflow included
- Dimensions: W 390 x D 450 x H 190mm
- Bowl dimensions:
W 340 x D 400 x H 190mm
- Includes a cut-out template
- Minimum cabinet width: 400mm
- CPR106 plumbing kit available (optional)
- 20 Year guarantee

PRIMA+ 
R25 1.0 BOWL LARGE
UNDERMOUNT SINK
 CPR048



- + The R25 range offers a contemporary design with tight angles on the internal corners of the sink
- Waste & overflow included
- Dimensions: W 530 x D 450 x H 200mm
- Bowl dimensions:
W 480 x D 400 x H 200mm
- Includes a cut-out template
- Minimum cabinet width: 600mm
- CPR106 plumbing kit available (optional)
- 20 Year guarantee

Stainless Steel Sinks

PRIMA+ R25 1.0 BOWL EXTRA LARGE UNDERMOUNT SINK

CPR050



+ The R25 range offers a contemporary design with tight angles on the internal corners of the sink

- Waste & overflow included
- Dimensions: W 700 x D 450 x H 200mm
- Bowl dimensions:
W 650 x D 400 x H 200mm
- Includes a cut-out template
- Minimum cabinet width: 700mm
- CPR106 plumbing kit available (optional)
- 20 Year guarantee

PRIMA+ R25 1.5 BOWL REVERSIBLE UNDERMOUNT SINK

CPR052



+ The R25 range offers a contemporary design with tight angles on the internal corners of the sink

- Waste & overflow included
- Dimensions: W 580 x D 450 x H 190mm
- Main bowl dimensions: W 340 x D 400 x H 190mm
- ½ Bowl dimensions: W 160 x D 300 x H 110mm
- Includes a cut-out template
- Minimum cabinet width: 600mm
- Reversible
- CPR108 plumbing kit available (optional)
- 20 Year guarantee


PRIMA+ R25 1.5 BOWL UNDERMOUNT SINK

CPR054



+ The R25 range offers a contemporary design with tight angles on the internal corners of the sink

- Waste & overflow included
- Dimensions: W 580 x D 450 x H 190mm
- Main bowl dimensions: W 340 x D 400 x H 190mm
- ½ Bowl dimensions: W 160 x D 300 x H 120mm
- Includes a cut-out template
- Minimum cabinet width: 600mm
- Left hand main bowl
- CPR108 plumbing kit available (optional)
- 20 Year guarantee

PRIMA+ 
R25 1.5 BOWL LARGE UNDERMOUNT SINK

CPR056



- The R25 range offers a contemporary design with tight angles on the internal corners of the sink
- Waste & overflow included
- Dimensions: W 740 x D 450 x H 195mm
- Main bowl dimensions: W 480 x D 400 x H 195mm
- 1/2 Bowl dimensions: W 180 x D 396 x H 120mm
- Includes a cut-out template
- Minimum cabinet width: 700mm
- Left hand main bowl
- CPR108 plumbing kit available (optional)
- 20 Year guarantee

1.5 BOWL REVERSIBLE UNDERMOUNT SINK

CPR506



- Made from 0.8mm gauge stainless steel
- R50 radius gives smooth rounded internal corners
- Waste & overflow included
- Dimensions: W 595 x D 460 x H 185mm
- Main bowl dimensions: W 350 x D 410 x H 185mm
- 1/2 Bowl dimensions: W 164 x D 300 x H 110mm
- Minimum cabinet width: 600mm
- Reversible
- Waste disposal compatible
- CPR108 plumbing kit (optional)
- 20 Year guarantee

LARGE BOWL UNDERMOUNT SINK

CPR508



- Made from 0.8mm gauge stainless steel
- R50 radius gives smooth rounded internal corners
- Waste & overflow included
- Dimensions: W 530 x D 450 x H 195mm
- Internal dimensions: 480 x 400mm
- Minimum cabinet width: 600mm
- Waste disposal compatible
- CPR106 plumbing kit (optional)
- 20 Year guarantee



TAPS

Our taps not only offer stylish design, but are manufactured to a high standard and come with a fantastic guarantee.*

Look out for our Prima+ products...



From 3 in 1 hot taps to premium Italian designed taps, our '+' collection delivers on style and functionality.

*please see individual tap models for guarantee information

Complete your kitchen



Hot Tap Filter
BPR900



Hot Tap Tank



PRIMA+ 3 IN 1 HOT TAP

BPR402 - CHROME

BPR403 - BRUSHED STEEL

BPR405 - MATT BLACK



+ Instantly boiled hot water (max 98°C)

+ Supplied with tank & filter

+ Digital touch control boiler display

+ 3 temperature options: 98°C, 96°C, 75°C

- Contemporary chrome, brushed steel, or matt black single flow tap
- Pressureless safety design with a child lock
- Anti-scald safety tap
- 2.4L boiler capacity
- New 'Dry Burn' protection sensor
- UK manufactured water filter
- Tap dimensions: Overall height - 347mm, Spout height - 250mm, Spout reach - 197mm
- Operating pressure: 1.5 to 5 bar
- WRAS approved
- Guarantee: 5 year body & finish; 3 year valves; 1 year serviceable parts; 1 year tank

Prima+ 3 in 1 Hot Taps



CHILD SAFE: handle must be kept pressed to run boiling hot water

Granite Sink Co-ordinating Taps

PRIMA+ COLOURED COLLECTION

- BPR700 - BLACK
- BPR702 - GREY
- BPR706 - GUN METAL
- BPR704 - WHITE



 Ideal to co-ordinate with Prima+ Granite Sinks

- Quarter turn operation
- Brushed steel base
- Single flow tap
- Minimum pressure: 0.3 bar
- Flow aerator for controlled water delivery
- WRAS approved
- Dimensions: Overall height - 378mm; Spout height - 250mm; Spout reach - 225mm; Base/handle width - 148mm
- Guarantee: 5 year body & finish; 3 year valves; 1 year serviceable parts

PRIMA+ COLOURED COLLECTION WITH PULL-OUT

- BPR710 - BLACK
- BPR711 - GREY
- BPR712 - GUN METAL





 Ideal to co-ordinate with Prima+ Granite Sinks

- Single lever operation
- Brushed steel base
- Minimum pressure: 0.7 bar
- Flow aerator for controlled water delivery
- Dimensions: Overall height - 479mm; Spout Height - 202mm; Spout Reach - 230mm; Base/Handle Width - 50mm
- Guarantee: 5 year body & finish; 3 year valves; 1 year serviceable parts

PRIMA+ 
**TIBER SINGLE LEVER
 FLAT SPOUT
 MIXER TAP**

BPR501





-  Premium Italian designed tap
-  Stainless steel
 - Ceramic disk cartridge
 - 360° swivel spout
 - Quarter turn operation
 - Dimensions:
 - Overall height - 301mm,
 - Spout height - 281mm,
 - Spout reach - 220mm,
 - Base/handle width - 30mm
 - Minimum pressure: 0.7 bar
 - 5 year guarantee

PRIMA+ 
**TIBER SINGLE LEVER
 ROUND SPOUT
 MIXER TAP**

BPR502



-  Premium Italian designed tap
-  Stainless steel
 - Ceramic disk cartridge
 - 360° swivel spout
 - 45° handle operation
 - Dimensions:
 - Overall height - 356mm,
 - Spout height - 221mm,
 - Spout reach - 201mm,
 - Base/handle width - 45mm
 - Minimum pressure: 0.7 bar
 - 5 year guarantee

PRIMA+ 
**TIBER SINGLE LEVER
 MIXER WITH
 PULL OUT SPOUT**

BPR550





-  Premium Italian designed tap
-  Stainless steel with black spout
 - Pull out spout
 - Ceramic disk cartridge
 - 360° swivel spout
 - 45° handle operation
 - Dimensions:
 - Overall height - 356mm,
 - Spout height - 191mm,
 - Spout reach - 204mm,
 - Base/handle width - 45mm
 - Minimum pressure: 0.7 bar
 - 5 year guarantee

PRIMA+ 
**TIBER SINGLE LEVER
 MIXER WITH
 PULL OUT SPOUT**

BPR551



-  Premium Italian designed tap
-  Stainless steel
 - Pull out spout
 - Ceramic disk cartridge
 - 360° swivel spout
 - 45° handle operation
 - Dimensions:
 - Overall height - 356mm,
 - Spout height - 191mm,
 - Spout reach - 204mm,
 - Base/handle width - 45mm
 - Minimum pressure: 0.7 bar
 - 5 year guarantee

PRIMA+ 
RIACE SQUARE
SINGLE LEVER
MIXER TAP

BPR503



- +** Premium Italian designed tap
- Chrome finish
- Ceramic disk cartridge
- 360° swivel spout
- 45° handle operation
- Dimensions:
 Overall height - 315mm,
 Spout height - 235mm,
 Spout reach - 205mm,
 Base/handle width - 43mm
- Minimum pressure: 0.7 bar
- 5 year guarantee

PRIMA+ 
RIACE ROUND
SINGLE LEVER
MIXER TAP

BPR504



- +** Premium Italian designed tap
- Chrome finish
- Ceramic disk cartridge
- 360° swivel spout
- 45° handle operation
- Dimensions:
 Overall height - 354mm,
 Spout height - 236mm,
 Spout reach - 221mm,
 Base/handle width - 43mm
- Minimum pressure: 0.7 bar
- 5 year guarantee

PRIMA+ 
RIACE 'L'
SINGLE LEVER
MIXER TAP

BPR505



- +** Premium Italian designed tap
- Chrome finish
- Ceramic disk cartridge
- 360° swivel spout
- 45° handle operation
- Dimensions:
 Overall height - 295mm,
 Spout height - 265mm,
 Spout reach - 210mm,
 Base/handle width - 43mm
- Minimum pressure: 0.7 bar
- 5 year guarantee

PRIMA+ 
RIACE 'L'
SINGLE LEVER
MIXER TAP
WITH PULL OUT SPOUT

BPR554



- +** Premium Italian designed tap
- Chrome finish
- Pull out spout
- Ceramic disk cartridge
- 45° handle operation
- Dimensions:
 Overall height - 296mm,
 Spout height - 262mm,
 Spout reach - 221mm,
 Base/handle width - 44mm
- Minimum pressure: 0.7 bar
- 5 year guarantee

**PRIMA+
MURRAY
SINGLE LEVER
MIXER TAP**

BPR506



- + Premium Italian designed tap
- Chrome finish
- Ceramic disk cartridge
- 360° swivel spout
- 45° handle operation
- Dimensions:
Overall height - 205mm,
Spout height - 175mm,
Spout reach - 210mm,
Base/handle width - 51mm
- Minimum pressure: 0.7 bar
- 5 year guarantee

**PRIMA+
MURRAY
SINGLE LEVER
MIXER TAP
WITH PULL OUT SPOUT**

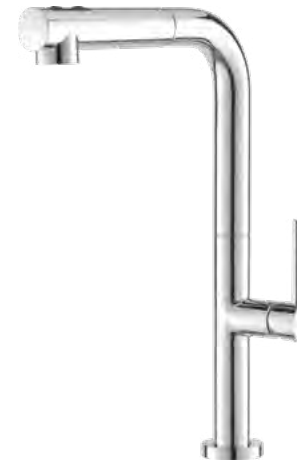
BPR555



- + Premium Italian designed tap
- Chrome finish
- Pull out spout
- Ceramic disk cartridge
- 45° handle operation
- Dimensions:
Overall height - 222mm,
Spout height - 173mm,
Spout reach - 202mm,
Base/handle width - 50mm
- Minimum pressure: 0.7 bar
- 5 year guarantee

**PRIMA+
MOSA SINGLE LEVER
MIXER TAP
WITH PULL OUT**

BPR552



- + Premium Italian designed tap
- + Double jet flow
- Chrome finish
- Pull out spout
- Ceramic disk cartridge
- 67° handle operation
- Dimensions:
Overall height - 357mm,
Spout height - 316mm,
Spout reach - 187mm,
Base/handle width - 30mm
- Minimum pressure: 0.7 bar
- 5 year guarantee

**PRIMA+
MOSA SINGLE LEVER
ADJUSTABLE
SPRING MIXER TAP**

BPR553



- + Premium Italian designed tap
- + Double jet flow
- Chrome finish
- Ceramic disk cartridge
- 360° swivel spout
- Quarter turn handle operation
- Dimensions:
Overall height - 470mm,
Spout height - 159mm,
Spout reach - 212mm,
Base/handle width - 44mm
- Minimum pressure: 0.7 bar
- 5 year guarantee

Contemporary Taps

PROFESSIONAL COPPER MIXER TAP

BPR724



- Brushed Copper finish
- BPR792 matching waste available
- Single lever
- Single flow tap
- Dimensions:
 - Overall height - 345mm,
 - Spout height - 243mm,
 - Spout reach - 172mm,
 - Base/handle width - 134mm
- Minimum pressure: 0.1 bar
- Guarantee: 5 year body & finish;
3 year valves; 1 year serviceable parts

PROFESSIONAL DUAL LEVER MIXER TAP

BPR320



- Multi-function spray nozzle
- Flexi spout
- Chrome finish
- Single lever
- Single flow tap
- Dimensions:
 - Overall height - 540mm,
 - Spout height - 181mm,
 - Spout reach - 226mm,
 - Base/Handle width - 147mm
- Minimum pressure: 0.1 bar
- Guarantee: 5 year body & finish;
3 year valves; 1 year serviceable parts

RHODE U SPOUT MIXER TAP

BPR2233



- WRAS Approved
- Quarter turn operation
- Chrome finish
- Ceramic disc valve
- Aerator
- 360° swivel spout
- Dimensions: Overall height - 325mm,
Spout height - 255mm, Spout reach - 205mm,
Base/Handle width - 145mm
- Minimum pressure: 0.1 bar
- Guarantee: 5 year body & finish;
3 year valves; 1 year serviceable parts

CHELSEA SWAN NECK MIXER TAP

BPR2223 - CHROME

BPR2224 - BRUSHED FINISH



- WRAS Approved
- Quarter turn operation
- Chrome or brushed finish
- Ceramic disc valve
- Aerator
- 360° swivel spout
- Dimensions: Overall height - 377mm, Spout height - 272mm, Spout reach - 200mm, Base/Handle width - 123mm
- Minimum Pressure: 0.1 bar
- Guarantee: 5 year body & finish; 3 year valves; 1 year serviceable parts

SOHO SWAN NECK MIXER TAP

BPR2054 - CHROME

BPR2055 - BRUSHED FINISH



- Single lever
- Chrome or brushed finish
- Single flow tap
- Dimensions: Overall height - 345mm, Spout height - 243mm, Spout reach - 172mm, Base/Handle width - 90mm
- Minimum Pressure: 0.1 bar
- Guarantee: 5 year body & finish; 3 year valves; 1 year serviceable parts

Contemporary Taps

STATEN MIXER TAP

BPR2205 - CHROME

BPR2206 - BRUSHED FINISH

BPR2207 - BLACK



- WRAS Approved
- Quarter turn operation
- Chrome, brushed or black finish
- Single flow tap
- Dimensions: Overall height - 336.5mm, Spout height - 245mm, Spout reach - 171.5mm, Base/Handle Width - 137.5mm
- Minimum Pressure: 0.1 bar
- Guarantee: 5 year body & finish; 3 year valves; 1 year serviceable parts

DUAL LEVER V SHAPE MIXER TAP

BPR1057 - CHROME

BPR1058 - BRUSHED FINISH

BPR1059 - BLACK



- WRAS Approved
- Quarter turn operation
- Chrome, brushed or black finish
- Single flow tap
- Dimensions: Overall height - 314mm, Spout height - 213mm, Spout reach - 172mm, Base/Handle width - 205mm
- Minimum pressure: 0.1 bar
- Guarantee: 5 year body & finish; 3 year valves; 1 year serviceable parts

SINGLE LEVER MIXER TAP

BPR1064 - CHROME

BPR1065 - BLACK



- WRAS Approved
- Single lever
- Chrome or black finish
- Single flow tap
- Dimensions:
Overall height - 174mm, Spout height - 151mm,
Spout reach - 212mm, Base/Handle width - 51mm
- Minimum pressure: 0.1 bar
- Guarantee: 5 year body & finish;
3 year valves; 1 year serviceable parts

BELFAST DUAL LEVER MIXER TAP

BPR1056



- WRAS Approved
- Dual lever
- Chrome finish
- Single flow tap
- Dimensions:
Overall height - 344mm, Spout height - 242mm,
Spout reach - 172mm, Base/Handle width - 180mm
- Minimum pressure: 0.1 bar
- Guarantee: 5 year body & finish;
3 year valves; 1 year serviceable parts

CLASSIC DUAL LEVER MIXER TAP

BPR1055



- WRAS Approved
- Quarter turn operation
- Chrome finish
- Single flow tap
- Dimensions:
Overall height - 227mm, Spout height - 194mm,
Spout reach - 224mm, Base/Handle width - 149mm
- Minimum pressure: 0.1 bar
- Guarantee: 5 year body & finish;
3 year valves; 1 year serviceable parts

TECHNICAL SPECIFICATIONS AND FEATURES...

OVENS

	SINGLE OVENS					
	PRSO112	PRSO114	PRSO105	PRSO107	PRSO101	PRSO103
Controls	Rotary	Rotary	Rotary	Rotary	Rotary	Rotary
Colour	Black & St/Steel	Black	Black	Black	St/Steel	St/Steel
Functions	6	6	4	4	4	4
Circa fan cooking	–	–	●	●	●	●
Fan assisted - conventional cooking with fan	●	●	–	–	–	–
Conventional cooking - top & bottom elements	●	●	–	–	–	–
Grill with fan	●	●	●	●	●	●
Circa fan with lower heat	–	–	–	–	–	–
Bottom element	–	–	–	–	–	–
Grill	●	●	●	●	●	●
Fan with lower heat	●	●	–	–	–	–
Eco grill	–	–	–	–	–	–
Defrost	●	●	●	●	●	●
Pyrolytic cleaning	–	–	–	–	–	–
Manual timer	●	●	●	–	●	–
Auto programmer	●	●	–	●	–	●
Display colour	White	White	–	Amber	–	Amber
Chrome shelf supports	●	●	●	●	●	●
Optional telescopic rails	–	–	–	–	–	–
Easy-remove door	●	●	●	●	●	●
Easy remove glass for cleaning	●	●	●	●	●	●
Oven capacity (Litre) - gross (Net)	82 (72)	82 (72)	66(60)	66(60)	66 (60)	66 (60)
Energy rating	A	A	A	A	A	A
Height (mm)	595	595	595	595	595	595
Width (mm)	594	594	595	595	595	595
Depth (mm)	575	575	565	565	565	565
Maximum connection rating	2.8kw	2.8kw	2.7kw	2.7kw	2.7kw	2.7kw
Fuse rating	13A (plug)	13A (plug)	13A (plug)	13A (plug)	13A (plug)	13A (plug)

MICROWAVES

Ovens	MICROWAVE AND GRILL				MICROWAVE	
	PRCM112	PRCM450	PRCM451	LCTM25F	LCTM201	PRCM202
Height (nominal)	39CM	45CM	45CM	39CM	39CM	39CM
Colour	Black	Black & St/Steel	Black	St/Steel	St/Steel	Black
Finger print proof finish	-	-	-	-	-	-
Functions	4	4	4	3	1	1
Microwave power - W	700W	1000W	1000W	900W	800W	800W
Microwave power levels	4	4	4	5	5	5
Grill	1000W	1650W	1650W	1000W	-	-
Defrost	●	●	●	●	●	●
Timer	●	●	●	●	●	●
Digital display	●	●	●	●	●	-
Child safety lock	●	●	●	●	●	-
St/Steel inner cavity	-	●	●	-	-	-
Wall cupboard installation (min depth mm)	300	565	565	-	320	550
Turntable diameter (cm)	25	31.5	31.5	31.5	24.5	27
Microwave capacity (litre)	20	35	35	25	20	20
Height (mm)	382	455	455	388	382	384
Width (mm)	594	594	594	595	594	595
Depth (mm)	316	530	530	410	316	336
Maximum connection rating	1.2kw	3.4kw	3.4kw	2.5kw	1.3kw	0.8kw

HOBS

	GAS ON GLASS			GAS		
	PRGH218 [®]	PRGH212	PRGH214	PRGH106	PRGH108	PRGH114
Nominal size	60CM	60CM	70CM	60CM	60CM	70CM
Colour	Black Glass	Black Glass	Black Glass	St/Steel	St/Steel	St/Steel
Controls	Rotary	Rotary	Rotary	Rotary	Rotary	Rotary
Glass edge	Frameless	Frameless	Frameless	–	–	–
Auto ignition (push and turn)	●	●	●	●	●	●
Flame failure device	●	●	●	●	●	●
Cast iron pan supports	●	●	●	●	●	●
Enamel pan supports	–	–	–	●	–	–
LPG conversion kit included	●	●	●	●	●	●
Controls	Front	Front	Front	Side	Side	Front
No of burners / zones	4	4	5	4	4	5
Output - front left	2900W	3000W	1000W	2900W	2900W	1750W
Output - front right	950W	1000W	1000W	950W	950W	1000W
Output - middle/far left/ bridging zone	–	–	3800W	–	–	3800W
Output - back left	1700W	1750W	1750W	1700W	1700W	1750W
Output - back right	1700W	1750W	1750W	1700W	1700W	3000W
Auto safety / over temp shut off	–	–	–	–	–	–
Residual heat indicators	–	–	–	–	–	–
Child lock	–	–	–	–	–	–
Digital display	–	–	–	–	–	–
Electronic timer	–	–	–	–	–	–
Hob dimension (mm)	590x520	580 x 500	700 x 510	590 x 520	590 x 520	680 x 500
Cut-out dimension (mm)	560x490	557 x 477	557 x 477	560 x 490	560 x 490	557 x 477
Maximum connection rating	–	–	–	–	–	–

HOBS	INDUCTION						CERAMIC ELECTRIC			
	PRVH001 ⁴⁹	PRIH210 ⁴⁹	PRIH208	PRIH206	PRIH017	PRIH019	PRCEH107	PRCEH104	PRCEH110	PRCEH112
Nominal size	80CM	60CM	90CM	75CM	75CM	60CM	60CM	60CM	75CM	90CM
Colour	Black Glass	Black Glass	Black Glass	Black Glass	Black Glass	Black Glass	Black Glass	Black Glass	Black Glass	Black Glass
Controls	Touch	Slider	Touch	Slider	Touch	Touch	Touch	Rotary	Touch	Touch
Glass edge	Frameless	St/Steel	Frameless	Frameless	Frameless	Frameless	Frameless	Frameless	Frameless	Frameless
Auto ignition (push and turn)	-	-	-	-	-	-	-	-	-	-
Flame failure device	-	-	-	-	-	-	-	-	-	-
Cast iron pan supports	-	-	-	-	-	-	-	-	-	-
Enamel pan supports	-	-	-	-	-	-	-	-	-	-
LPG conversion kit included	-	-	-	-	-	-	-	-	-	-
Controls	Front	Front	Front	Front	Front	Front	Side	Side	Front	Front
No of burners / zones	4	4	5	5	4	4	4	4	5	5
Output - front left	-	2600W	1800W	2000W	2000W	2000W	1800W	1800W	1800W	1800W
Output - front right	1500W	1800W	1500W	1500W	1500W	1500W	1200W	1200W	1200W	1200W
Output - middle/far left/ bridging zone	3000W	-	2200W	2000W	-	-	-	-	1700W	2500W
Output - back left	-	1800W	1500W	1500W	1500W	1500W	1200W	1200W	1200W	1200W
Output - back right	2000W	2600W	1800W	2000W	2000W	2000W	1800W	1800W	1800W	1800W
Auto safety / over temp shut off	●	●	●	●	●	●	●	●	●	●
Residual heat indicators	●	●	●	●	●	●	●	●	●	●
Child lock	●	●	●	●	●	●	●	●	●	●
Digital display	●	●	●	●	●	●	●	●	●	●
Electronic timer	●	●	●	●	●	●	-	-	-	-
Other Features:										
Hood speed levels	3	-	-	-	-	-	-	-	-	-
Extraction rate (m³/hr)	398	-	-	-	-	-	-	-	-	-
Noise level (dBA)	61	-	-	-	-	-	-	-	-	-
Vent dimensions	370 x 39 x 138	-	-	-	-	-	-	-	-	-
Hob dimension (mm)	800 x 520	590 x 520	860 x 520	750 x 520	590 x 520	590 x 520	580 x 510	580 x 510	750 x 510	860 x 520
Cut-out dimension (mm)	780 x 500	560 x 490	830 x 490	730 x 490	560 x 490	560 x 490	564 x 494	564 x 494	735 x 490	830 x 490
Maximum connection rating	6.8kw	7kw	8.8kw	7.4kw	7kw	3kw	6.0kw	6.0kw	7.7kw	8.5kw

HOODS

	CEILING	DOWNDRAFT	ANGLED		BOX	CURVED GLASS CHIMNEY		CHIMNEY		INTEGRATED	VISOR	CANOPY	
	PRCH301 [Ⓔ]	PRDE0004 [Ⓔ]	PRAE1002 [Ⓔ]	PRAE0018 (60CM) PRAE0020 (70CM) PRAE0022 (90CM)	PRCH027 [Ⓔ]	PRCGH008	PRCGH009	PRCH020	PRCH021	PRCH550	PRCH400	PRCH700	PRCH701
Nominal size	90cm	90cm	60cm	60/70/90cm	60cm	60cm	60cm	60cm	60cm	60cm	60cm	53cm	71cm
Colour	St/Steel	Glass/Steel	Glass/Steel	Black	St/Steel	St/Steel	Black	St/Steel	Black	Grey	Silver	Grey	Grey
Controls	Remote	T/Control	T/Control	Push Button	T/Control	Push Button	Push Button	Push Button	Push Button	Slider	Slider	Slider	Slider
Speed levels	4	3	3	3	3	3	3	3	3	3	3	3	3
Extraction rate (m ³ /hr)	718	549	387	387	354	278	278	379	379	263	231	273	273
Noise (dB)	69	67	62	62	70	65	65	60	60	61	62	61	61
Filter (optional)	–	1 x PRF008	1 x PRF006	1 x PRF006	1 x PRF007	1 x PRF006	1 x PRF006	1 x LIA210 (Pk of 2)	1 x LIA210 (Pk of 2)	1 x LIA210	1 x LIA210	1 x LIA210	1 x LIA210
Grease filters	Aluminium	Aluminium	Aluminium	Aluminium	Aluminium	Aluminium	Aluminium	Aluminium	Aluminium	Acrylic	Acrylic	Acrylic	Acrylic
Outlet diameter	150mm	150mm	125mm	125mm	125mm	125mm	125mm	150mm	150mm	120mm	120mm	150mm	150mm
Bulbs	4 x 2W LED	2 x 1W LED	2 x 1W LED	2 x 1W LED	2 x 1W LED	1W LED	1W LED	2 x 2.8W LED	2 x 2.8W LED	1 x 2.8W LED	1 x 2.8W LED	1 x 2.8W LED	2 x 2.8W LED
Height (mm)	215	300	810-1110	780-1080	450-750	430-730	540-740	583-898	668-898	400	150	148	148
Width (mm)	900	880	600	600/700/900	600	600	600	600	600	600	600	527	707
Depth (mm)	600	90	330	313	450	450	450	450	450	495	520	283	283
Chimney W x D (mm)	–	–	260 x 180	260 x 180	185 x 175	205 x 230	205 - 230	185 x 175	185 x 175	–	–	–	–
Other features			15 minute timer		Adjustable timer digital LED clock	Chimney flue extension available			Chimney flue extension available				
Prima ducting kit (optional)	PRDK150	PRDK150	PRDK125	PRDK125	PRDK125	PRDK125	PRDK125	PRDK150	PRDK150	PRDK125	PRDK125	PRDK125	PRDK150

COOLING

	BUILT-UNDER INTEGRATED			FULL HEIGHT INTEGRATED					
	PRRF101	PRRF103	PRRF150	PRRF212	PRRF211	PRRF501	PRRF701	PRRF503	PRRF703
Nominal height	–	–	–	177cm	177cm	177cm	177cm	177cm	177cm
Larder fridge	●	–	–	●	–	–	–	–	–
Freezer	–	●	–	–	●	–	–	–	–
Fridge with ice box	–	–	●	–	–	–	–	–	–
Fridge freezer - frost free	–	–	–	–	–	●	●	–	–
Fridge freezer - static	–	–	–	–	–	–	–	●	●
Auto defrost fridge	●	–	●	●	–	●	●	●	●
Manual defrost freezer	–	●	●	–	●	–	–	●	●
Door fixing - door on door	●	●	●	–	–	–	–	–	–
Door fixing - slider	–	–	–	●	●	●	●	●	●

Reversible doors	●	●	●	●	●	●	●	●	●
Fridge capacity (Litres)	135	–	100	301	–	147	182	147	182
Freezer capacity (Litres)	–	95	17	–	200	77	56	81	60
Shelves	2	–	2	5	–	4	4	4	4
Fridge drawers/ Salad crispers	2	–	2	2	–	2	2	2	2
Freezer drawers	–	3	(Ice Box)	–	7	4	3	4	3

Energy rating	E	E	E	E	F	E	E	E	E
Height (mm)	820-870	818-870	820-870	1770	1770	1770	1770	1770	1770
Width (mm)	596	596	596	540	540	540	540	540	540
Depth (mm)	550	550	550	540	540	540	540	540	540

Flame retardant metal back	●	●	●	●	●	●	●	●	●
Coolant - R600a	●	●	●	●	●	●	●	●	●
Climate Class	SN-ST	SN-ST	N-ST	N-ST	N-ST	SN-T	SN-T	SN-N	SN-N

Rated current (A)	1A	1A	1A	1A	1A	1A	1A	1A	1A
-------------------	----	----	----	----	----	----	----	----	----

WINE COOLERS

	BUILT-UNDER				
	PRWC401	PRWC407	PRWC408	PRWC405	PRWC406
Nominal Width	15cm	30cm	30cm	60cm	60cm
Colour	S/S	S/S	Black	Black	S/S
Capacity (litres)	22	60	60	127	127
No of bottles	7	18	18	44	44
Compressor cooling	●	●	●	●	●
Temp range °C	4-20	4-22	4-22	5-20	5-20
Digital temperature display	●	●	●	●	●
Wooden shelves	6	6	6	4	4
Noise level (dBA)	41	39	39	39	39
Refrigerant (R600a)	●	●	●	●	●
Climate class N	●	●	●	●	●
Front & rear levelling feet	●	●	●	●	●
Fitted 3 pin plug	●	●	●	●	●
Energy rating	G	F	F	G	G
Auto defrost	–	–	–	●	●

Rated current (A)	0.6A	0.6A	0.6A	0.6A	0.6A
-------------------	------	------	------	------	------

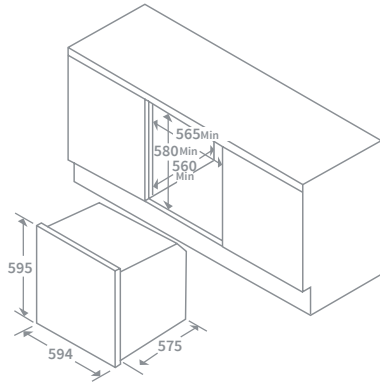
DISHWASHERS

	FULLY INTEGRATED		
	PRDW214 ⁶	PRDW210	PRDW300
Nominal width	60cm	60cm	45cm
Place settings	14	12	10
No of programs	7	4	6
Water usage (litres)	10	11	9
Noise level (dBA)	42	49	49
Normal wash	●	●	●
Intensive wash	●	●	●
Economy wash	●	●	●
Rapid wash	●	●	●
Glass	●		●
90 minutes	●		●
Auto program (load sensing)	●		
Soak	●	●	–
Delay timer	1-24 hrs	1-24 hrs	1-24 hrs
Low salt display indicator	●	●	●
Low rinse aid display indicator	●	●	●
End of program display indicator	●	●	●
Anti flood	●	●	●
Top cutlery drawer	●	–	–
Standard cutlery basket	–	●	●
Height adjustable top basket	●	●	●
“In Operation” floor light	●	–	–
Energy rating	C	E	D
Height (mm)	815	815	815
Width (mm)	598	598	448
Depth (mm)	550	550	550
Max rated power	2.1KW	2KW	2KW

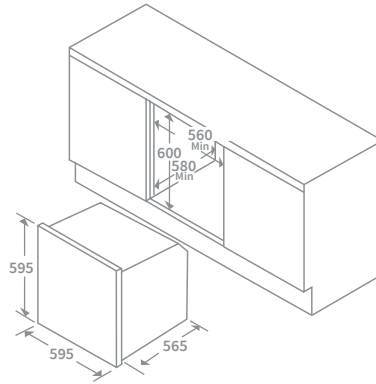
LAUNDRY

	WASHING MACHINE	WASHER DRYER
	PRLD371	PRLD375
White	●	●
Fully integrated	●	●
Spin speed rpm (max)	1400	1400
Wash load (max kg)	7	8
Drying load (max kg)	–	6
Wash performance rating	A	A
Spin efficiency rating	A	B
Energy-efficiency rating	A	B/E
Hot & cold fill	Cold	Cold
Quick wash function	●	●
Height (mm)	825	825
Width (mm)	595	595
Depth (mm)	540	540
Voltage (V)	220-240	220-240
Connected load (w)	2000	2000
Fuse required (amps)	13	13

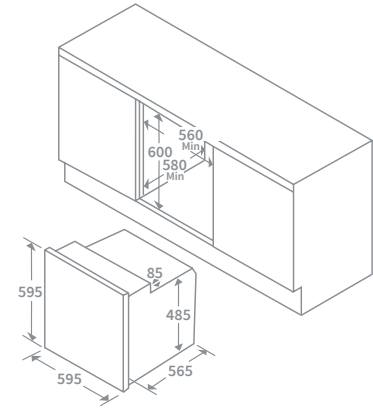
**BUILT-IN SINGLE
ELECTRIC FAN OVEN**
PRSO112/PRSO114



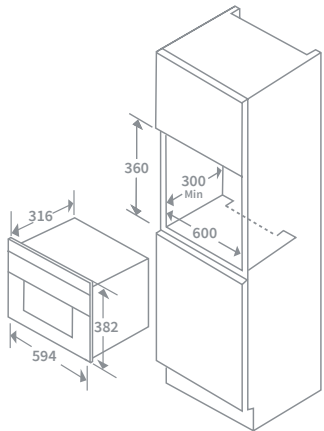
**BUILT-IN
SINGLE ELECTRIC FAN OVEN**
PRSO105/PRSO107



**BUILT-IN
SINGLE ELECTRIC FAN OVEN**
PRSO101/PRSO103

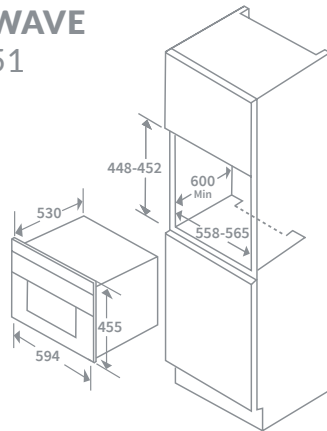


**BUILT-IN BLACK
MINI MICROWAVE**
PRCM112

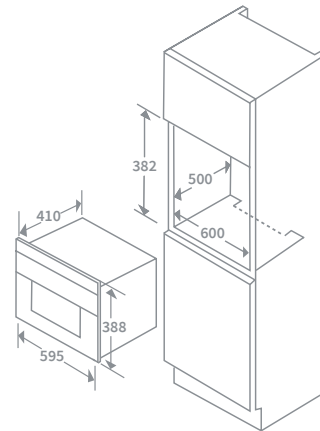


**BUILT-IN
BLACK & STAINLESS STEEL
MICROWAVE & GRILL**
PRCM450

**BUILT-IN
BLACK
MICROWAVE**
PRCM451

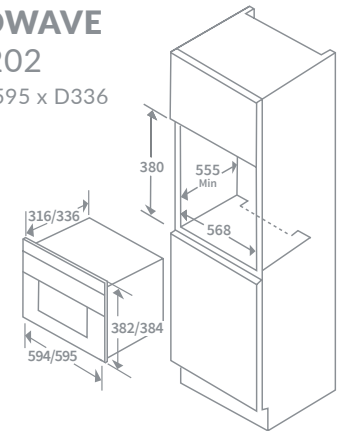


**BUILT-IN
STAINLESS STEEL
FRAMED MICROWAVE
AND GRILL**
LCTM25F

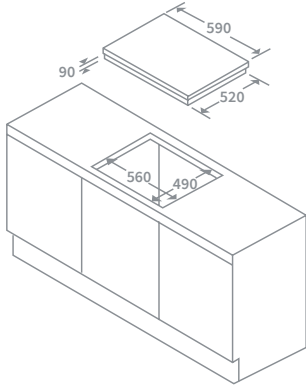


**BUILT-IN STAINLESS STEEL
FRAMED MICROWAVE**
LCTM201
H382 x W594 x D316

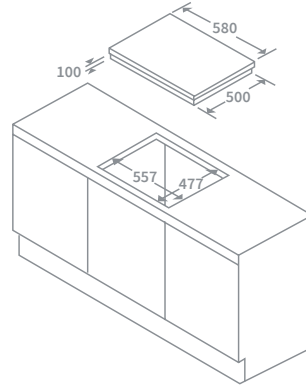
**BUILT-IN
BLACK
MICROWAVE**
PRCM202
H384 x W595 x D336



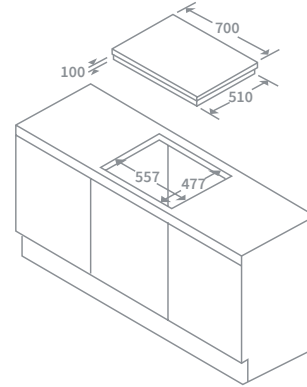
PRIMA+ 
60CM GAS ON GLASS HOB
PRGH218



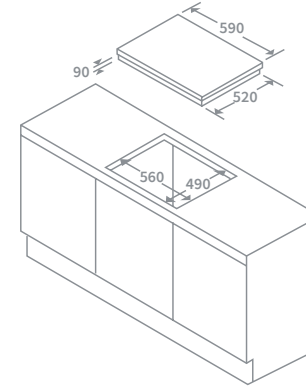
60CM GAS ON GLASS HOB
PRGH212



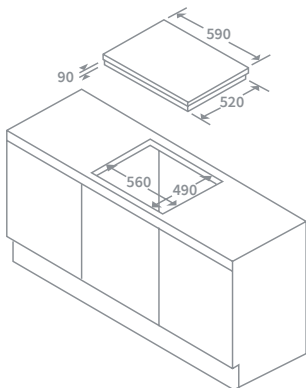
70CM GAS ON GLASS HOB
PRGH214



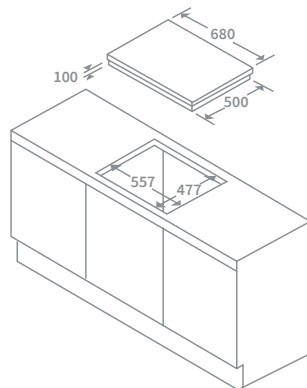
60CM STAINLESS STEEL GAS HOB
PRGH106



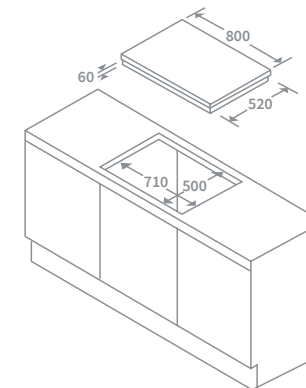
60CM STAINLESS STEEL GAS HOB
PRGH108



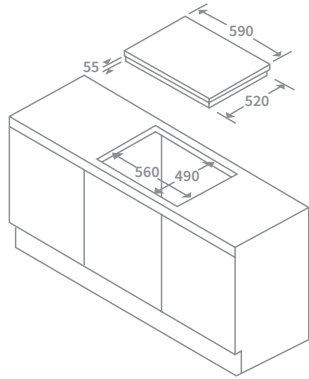
70CM STAINLESS STEEL GAS HOB
PRGH114



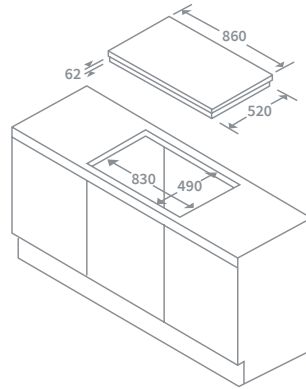
PRIMA+ 
80CM VENTING INDUCTION HOB
PRVH001



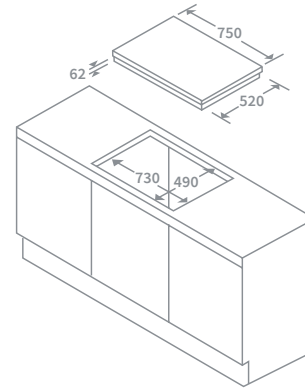
PRIMA+ 
60CM INDUCTION HOB
PRIH210



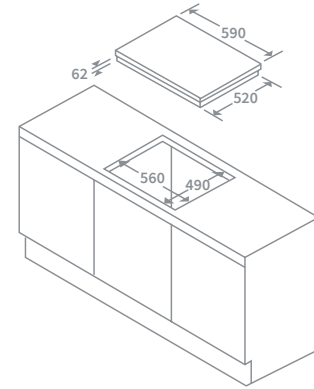
90CM ELECTRIC HOB
PRIH208



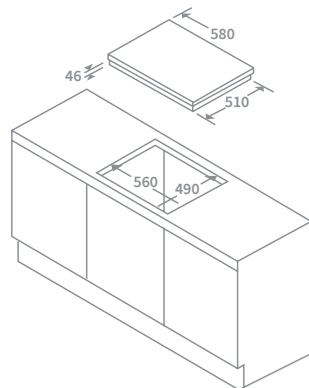
75CM INDUCTION HOB
PRIH206



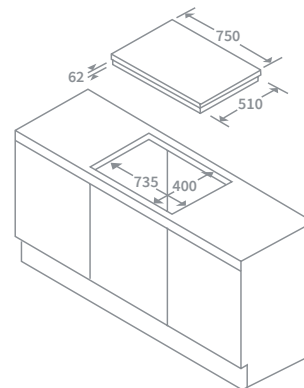
60CM INDUCTION HOB
PRIH017/PRIH019



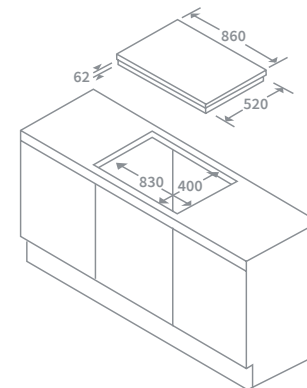
60CM CERAMIC HOB
PRCEH104/PRCEH107



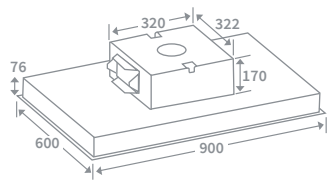
75CM CERAMIC HOB
PRCEH110



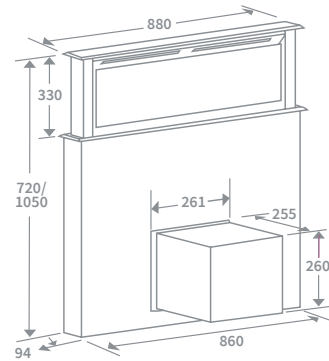
90CM CERAMIC HOB
PRCEH112



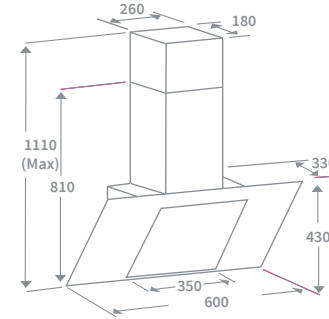
PRIMA+ 
90CM
CEILING HOOD
 PRCH301



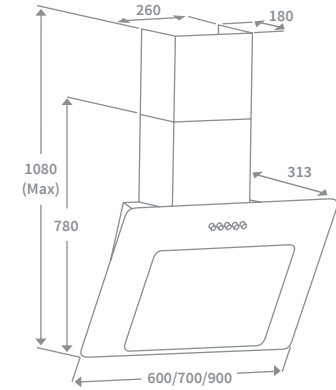
PRIMA+ 
90CM DOWNDRAFT HOOD
 PRDE0004



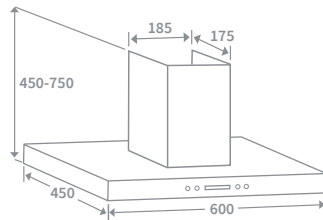
PRIMA+ 
60
STAINLESS STEEL/GLASS
ANGLED HOOD
 PRAE1002



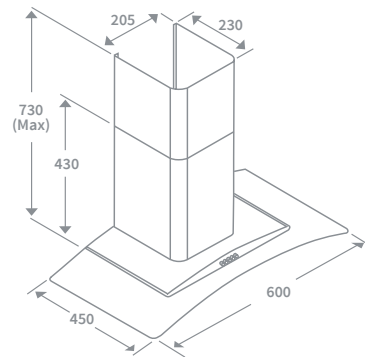
60/70/90CM
ANGLED HOOD
 PRAE0018/PRAE0020/PRAE0022



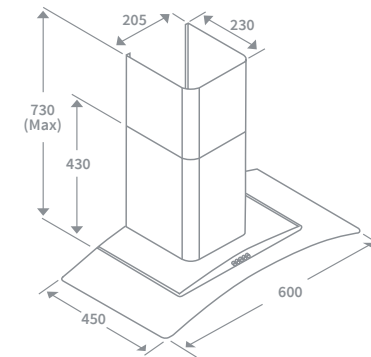
PRIMA+ 
60CM
BOX HOOD
 PRCH027



60CM
STAINLESS STEEL CURVED
GLASS CHIMNEY HOOD
 PRCGH008



60CM
BLACK CURVED GLASS
CHIMNEY HOOD
 PRCGH009

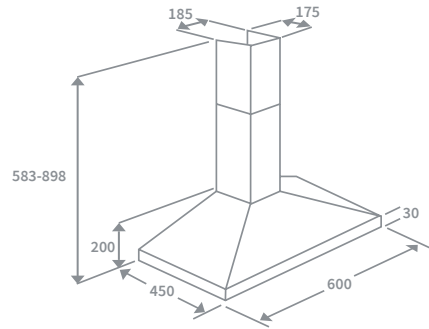


**60CM
STAINLESS STEEL
CHIMNEY HOOD**

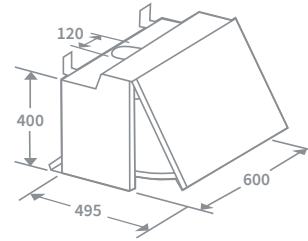
PRCH020

ALSO AVAILABLE IN BLACK

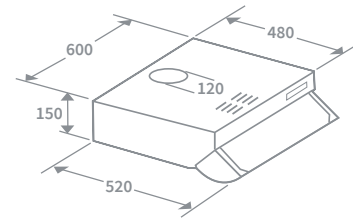
PRCH021



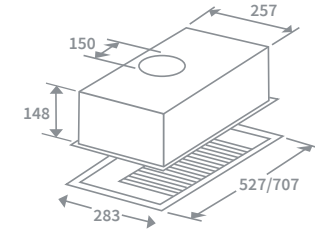
**GREY
INTEGRATED HOOD
PRCH550**



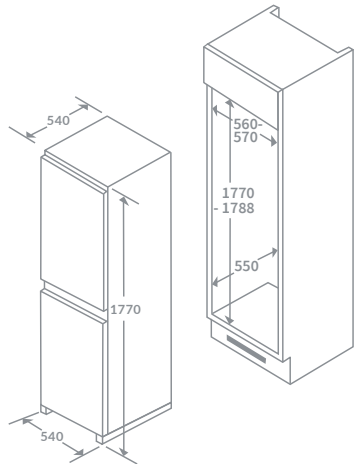
**60CM
VISOR HOOD
PRCH400**



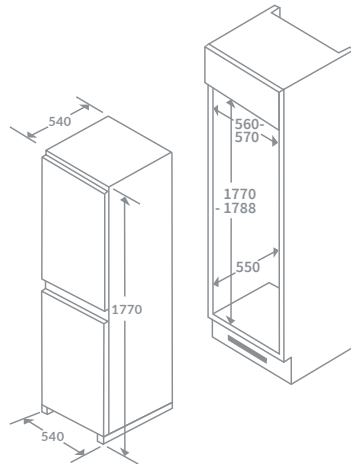
**53/71CM
GREY CANOPY HOOD
PRCH700/PRCH701**



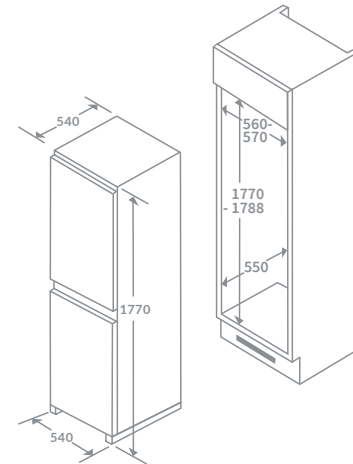
**50/50
FROST FREE
FRIDGE FREEZER
PRRF501**



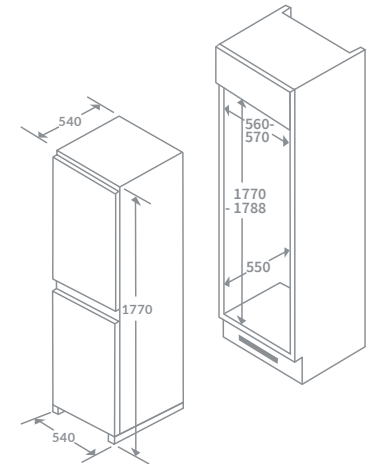
**70/30
FROST FREE
FRIDGE FREEZER
PRRF701**



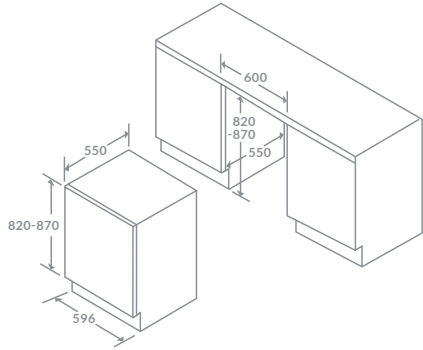
**50/50
FRIDGE FREEZER
PRRF503**



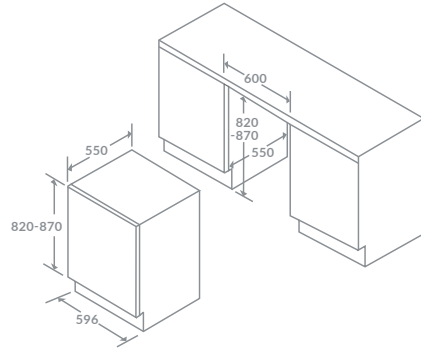
**70/30
FRIDGE FREEZER
PRRF703**



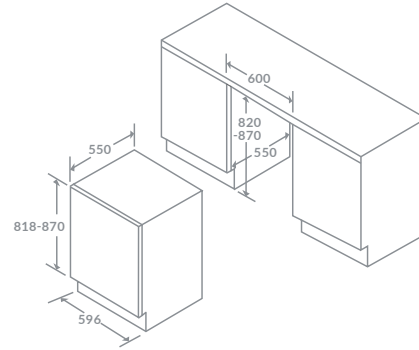
**UNDER COUNTER
LARDER FRIDGE**
PRRF101



**UNDER COUNTER
FRIDGE WITH ICE BOX**
PRRF150

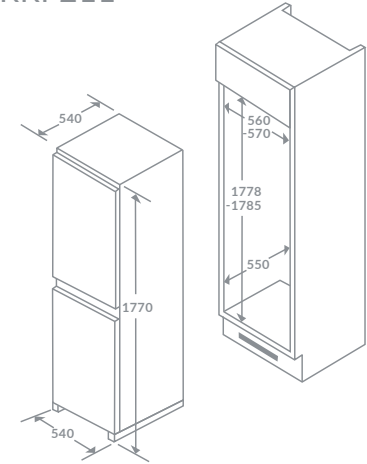


**UNDER COUNTER
LARDER FREEZER**
PRRF103

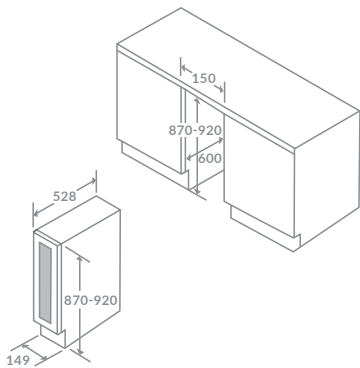


**BUILT-IN
LARDER FRIDGE**
PRRF212

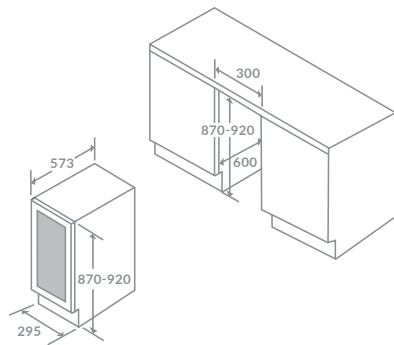
**BUILT-IN
LARDER FREEZER**
PRRF211



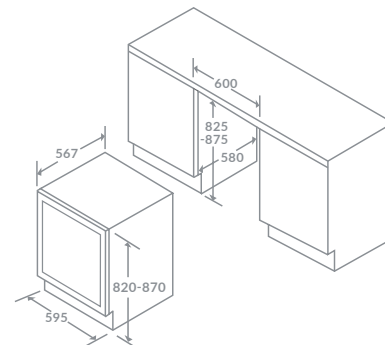
150MM WINE COOLER
PRWC401 - STAINLESS STEEL




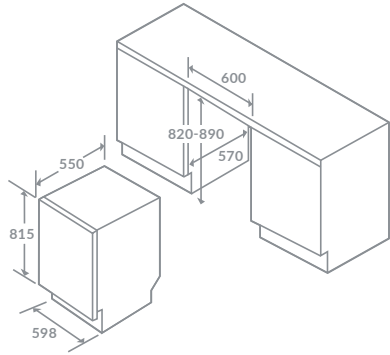
300MM WINE COOLER
PRWC407 - STAINLESS STEEL
PRWC408 - BLACK



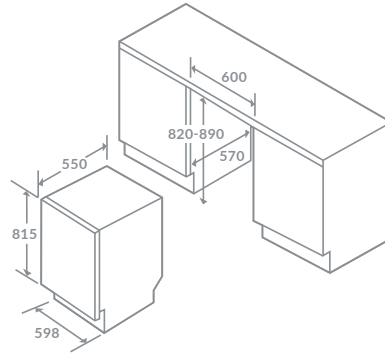
600MM WINE COOLER
PRWC405 - BLACK
PRWC406 - STAINLESS STEEL



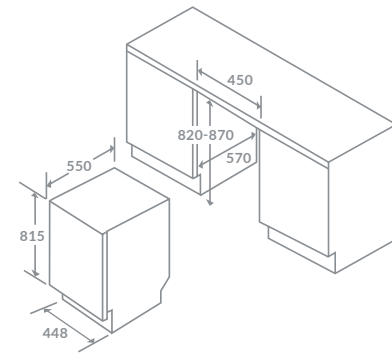
PRIMA+ 
**60CM INTEGRATED
 DISHWASHER**
 PRDW214



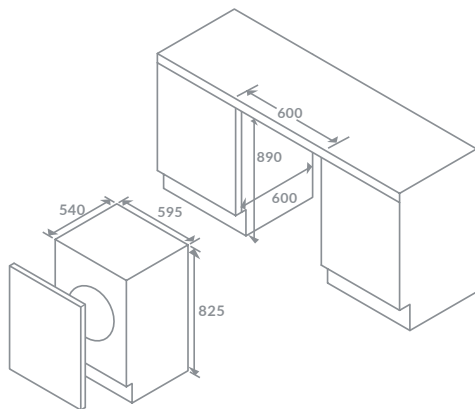
**60CM
 INTEGRATED DISHWASHER**
 PRDW210



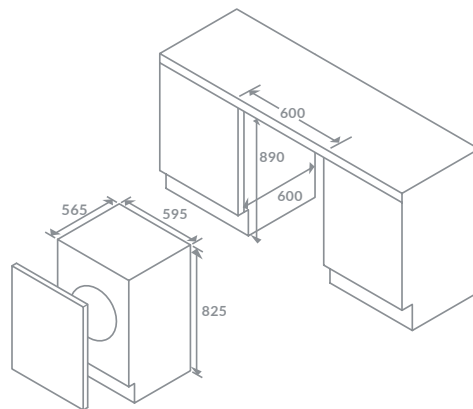
**45CM INTEGRATED
 SLIMLINE DISHWASHER**
 PRDW300



INTEGRATED WASHING MACHINE
 PRLD371

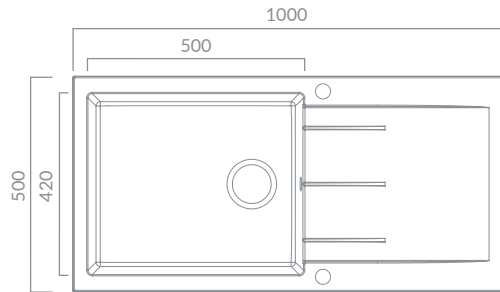


INTEGRATED WASHER DRYER
 PRLD375



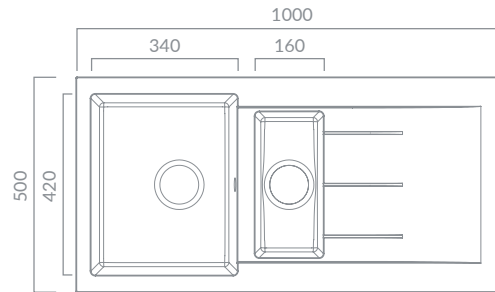
PRIMA+ 
GRANITE 1.0 BOWL

CPR318/CPR319/CPR320/CPR321



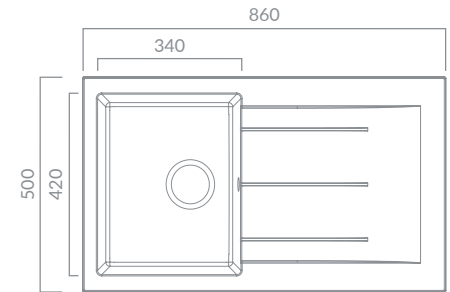
PRIMA+ 
GRANITE 1.5 BOWL

CPR322/CPR323/CPR324/CPR325



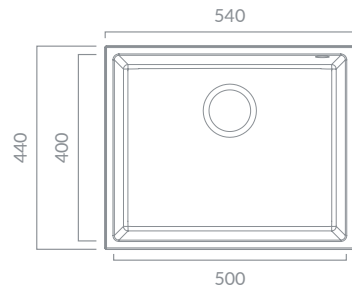
PRIMA+ 
COMPACT GRANITE 1.0 BOWL

CPR344/CPR345/CPR346/CPR347



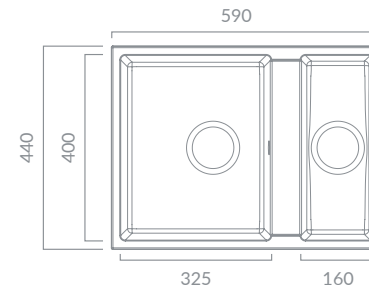
PRIMA+ 
GRANITE 1.0 BOWL UNDERMOUNT

CPR356/CPR357/CPR358



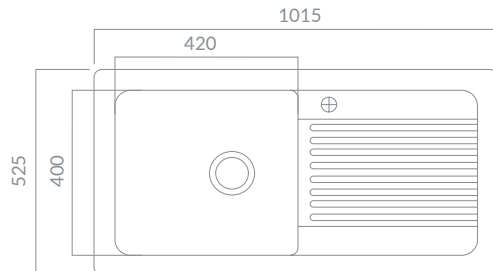
PRIMA+ 
GRANITE 1.5 BOWL UNDERMOUNT

CPR359/CPR360/CPR361



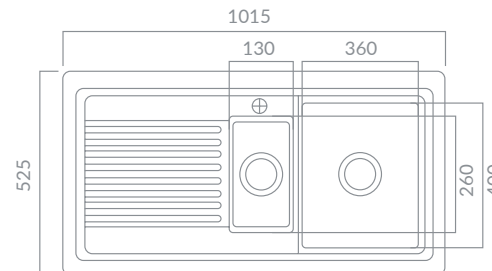
**1.0 BOWL
 TRADITIONAL CERAMIC SINK**

CPR412



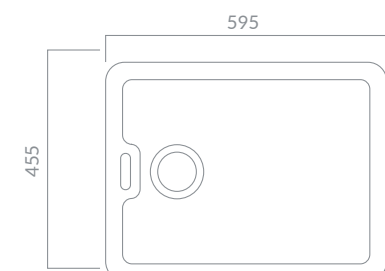
**1.5 BOWL TRADITIONAL
 CERAMIC SINK**

CPR410



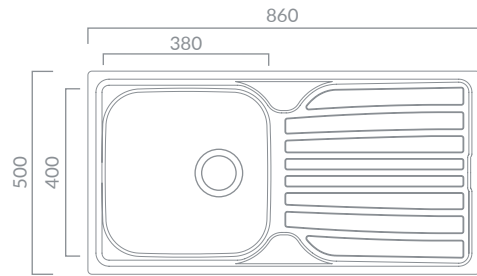
**BELFAST
 1.0 BOWL SINK**

CPR4081



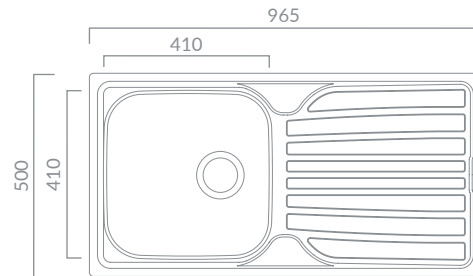
**COMPACT STAINLESS STEEL
1 BOWL & TAP PACK**

CPR040



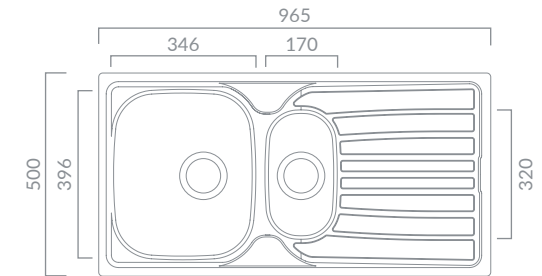
**STAINLESS STEEL
1 BOWL & TAP PACK**

CPR041



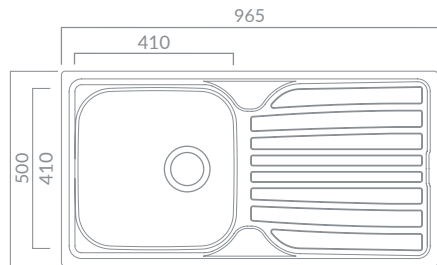
**STAINLESS STEEL
1.5 BOWL & TAP PACK**

CPR042



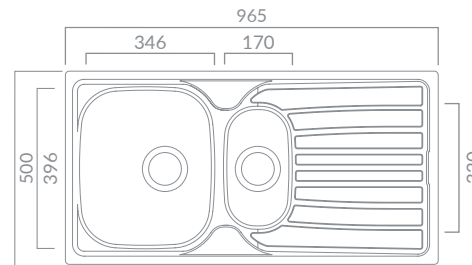
1.0 BOWL SINK

CPR024



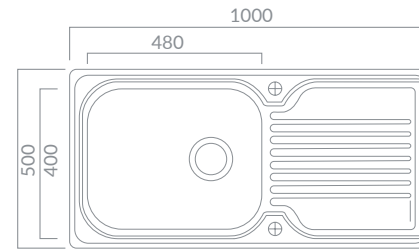
1.5 BOWL SINK

CPR026



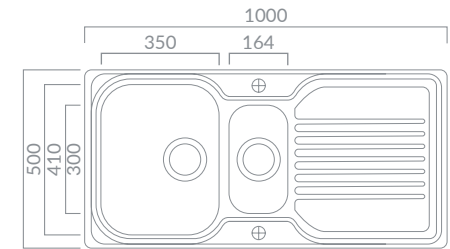
DEEP BOWL 1.0

CPR030



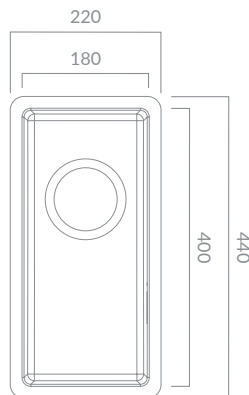
DEEP BOWL 1.5

CPR032



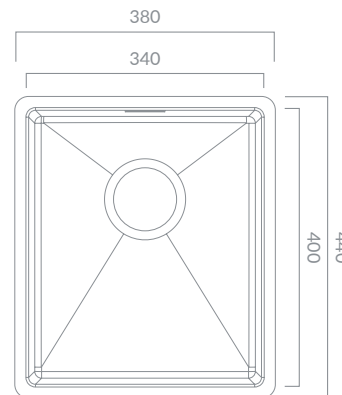
**PRIMA+
R10 0.5 BOWL
INSET/
UNDERMOUNT
SINK**

CPR516



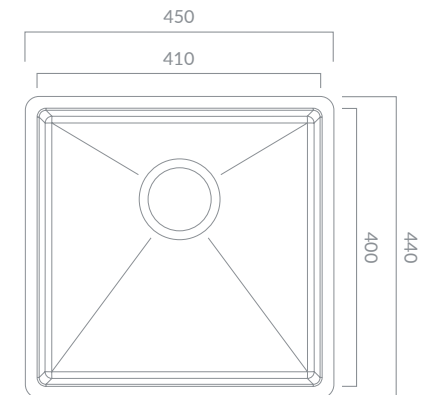
**PRIMA+
R10 1.0 BOWL
INSET/
UNDERMOUNT
SINK**

CPR518

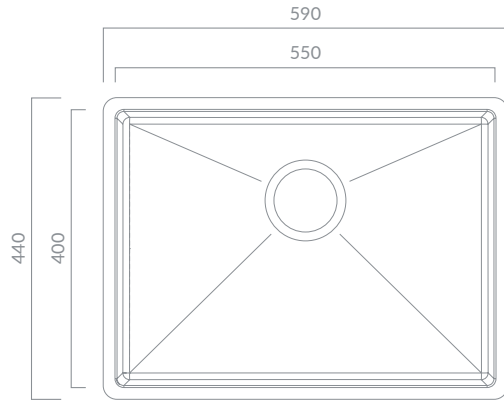


**PRIMA+
R10 1.0 BOWL
MEDIUM
INSET/
UNDERMOUNT
SINK**

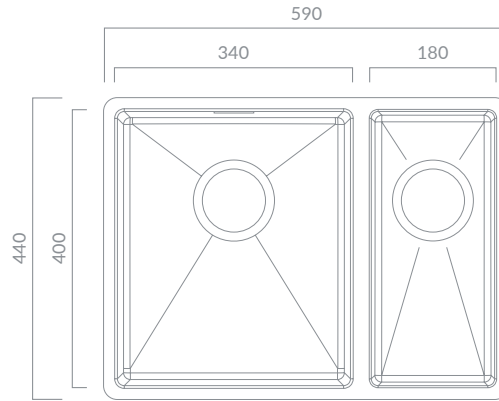
CPR520



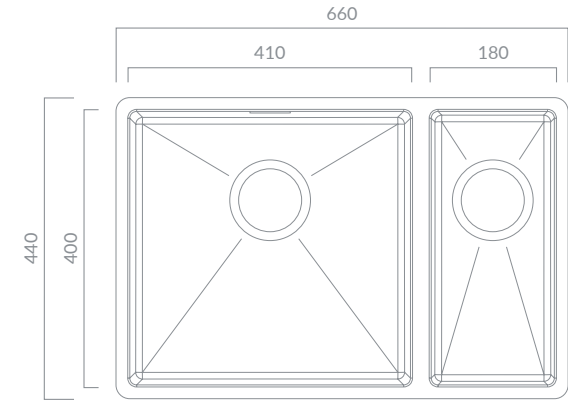
PRIMA+ 
R10 1.0 BOWL LARGE
INSET/UNDERMOUNT SINK
 CPR522




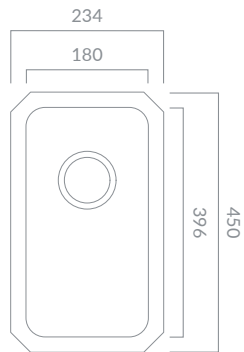
PRIMA+ 
R10 1.5 BOWL
INSET/UNDERMOUNT SINK
 CPR524



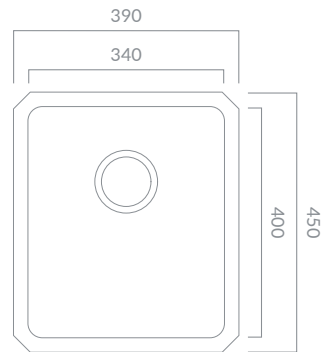
PRIMA+ 
R10 1.5 BOWL LARGE
INSET/UNDERMOUNT SINK
 CPR526




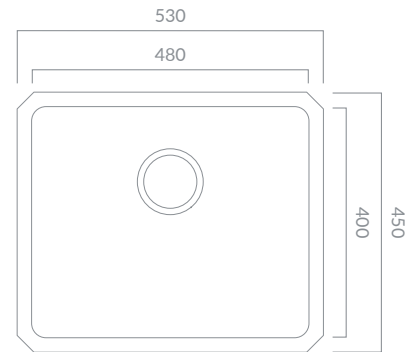
PRIMA+ 
R25 0.5 BOWL
UNDERMOUNT SINK
 CPR044



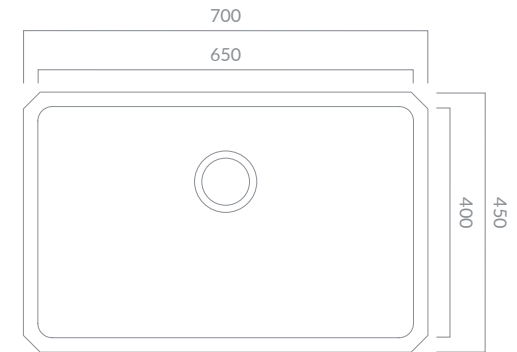
PRIMA+ 
R25 1.0 COMPACT BOWL
UNDERMOUNT SINK
 CPR046



PRIMA+ 
R25 1.0 BOWL LARGE
UNDERMOUNT SINK
 CPR048

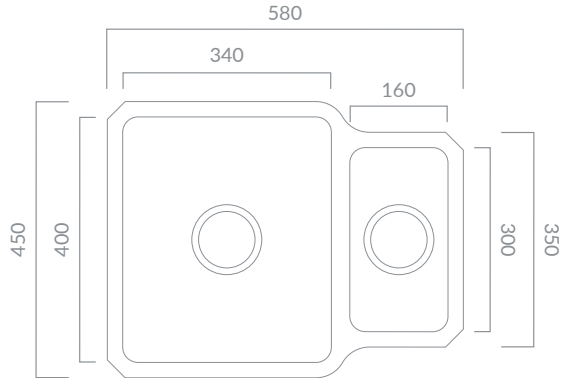



PRIMA+ 
R25 1.0 BOWL EXTRA LARGE
UNDERMOUNT SINK
 CPR050



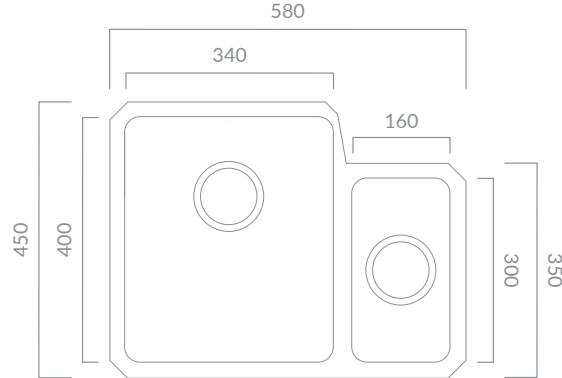
PRIMA+ 
**R25 1.5 BOWL REVERSIBLE
UNDERMOUNT SINK**


CPR052



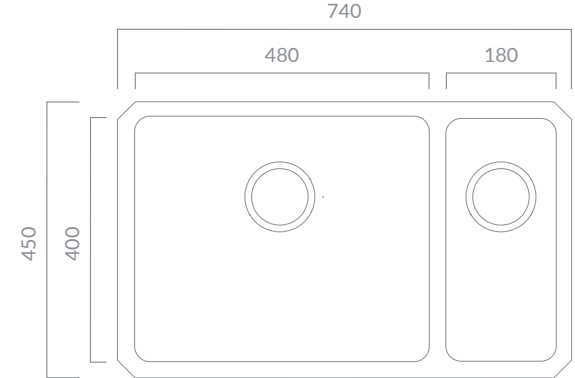
PRIMA+ 
**R25 1.5 BOWL
UNDERMOUNT SINK**

CPR054



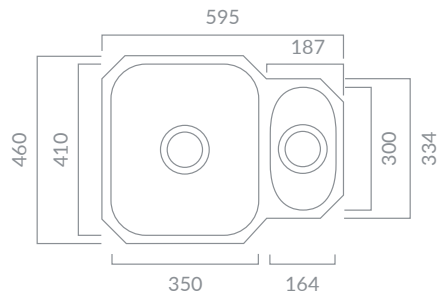
PRIMA+ 
**R25 1.5 BOWL LARGE
UNDERMOUNT SINK**

CPR056



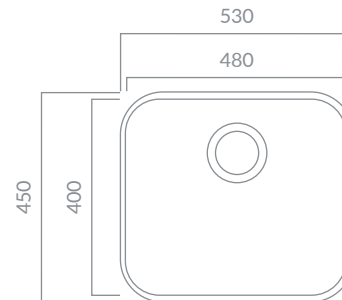
**1.5 BOWL REVERSIBLE
UNDERMOUNT**

CPR506



**LARGE BOWL
UNDERMOUNT SINK**

CPR508



INTRODUCING primacare

Primacare is our aftersales care programme which ensures that your Prima and Prima+ products are working as they should.

Our Primacare team deliver a friendly and efficient service.

Below is an overview of our Primacare service, from registering your product for the extended parts guarantee, to what to do if your product experiences problems.

PRODUCT REGISTRATION

You can register by phone or easily online at www.prima-appliances.uk/primacare. By registering your product you benefit from 5 year parts & 2 year labour guarantee.

CONTACTING PRIMACARE

For all Primacare enquiries please call our Primacare hotline on 0344 576 6841 or email care@Prima-Appliances.uk. Opening hours: Mon-Fri 8:00am - 6:00pm
Sat 8:30am - 2:00pm
Sun 10:00am - 2:00pm

CUSTOMER QUERIES

The Primacare team are available to give you advice on operating our products and their specifications.

IF YOU EXPERIENCE A PROBLEM WITH YOUR PRIMA OR PRIMA+ PRODUCT

Please call the Primacare hotline on 0344 576 6841 and a Primacare advisor will check your product registration details, log the fault on our Primacare system and if possible will attempt to resolve any operational or installation issues on the phone.

If we are unable to resolve your issue over the phone we will arrange for a Primacare engineer to contact you for a home visit at your convenience.

ENGINEERS VISIT / SPARES

One of our trained service engineers will arrange a suitable appointment with you and attempt to fix your appliance on the first visit, however in the event that additional parts are required he/she will arrange a new appointment to install the new parts at a later date.

ESCALATION PROCESS

If you are not satisfied with any part of the repair process we recommend that you contact the Primacare hotline as soon as possible and we will escalate your problem to our Prima Escalation Management Team.

PRODUCT REPLACEMENT

If we are unable to repair your appliance for any reason we reserve the right to offer you a replacement item to the same specification. If the replaced item is unavailable we reserve the right to offer a suitable alternative of similar specification. Original guarantee dates still apply in the event of a replacement.

Terms & conditions apply.



prima
care

If you experience any problems with your appliance
please contact our dedicated service line on:

0344 576 6841

UK Call Centre open 7 days a week: Mon-Fri 8:00am - 6:00pm
Sat 8:30am - 2:00pm
Sun 10:00am - 2:00pm

or you can visit our website:

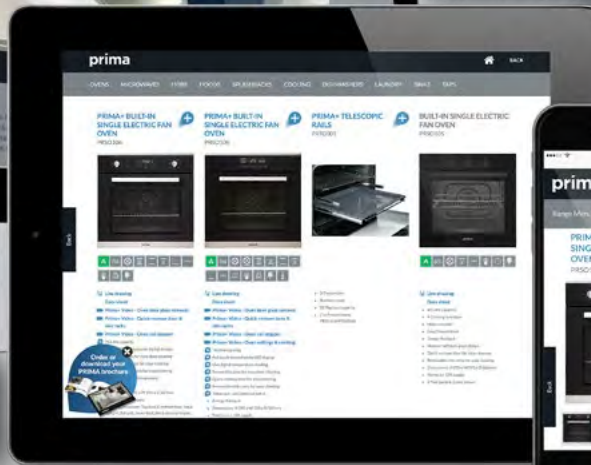
www.prima-appliances.uk/primacare



VISIT OUR WEBSITE

For up-to-date product information, updates, product videos and more... visit our website.

www.Prima-Appliances.uk





For all your everyday needs

prima

The Smarter Choice™

www.Prima-Appliances.uk

Retail Outlet:

For your nearest stockist:
Freephone: 0800 8 77 88 99

Due to our policy of continuous improvement, we reserve the right to amend specifications, designs or colours without prior notice.

The colours and finishes shown in this brochure are as accurate as possible within limits of the printing process.

Whilst every effort is made to ensure the accuracy of information supplied, Prima will not be held responsible for any errors or omissions.